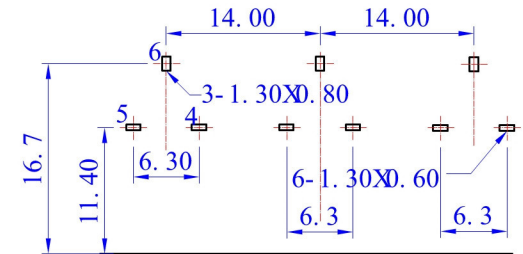
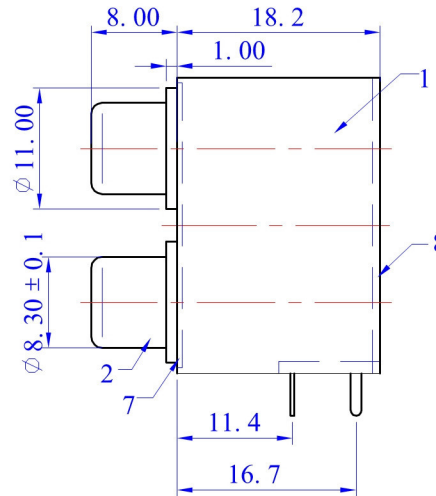
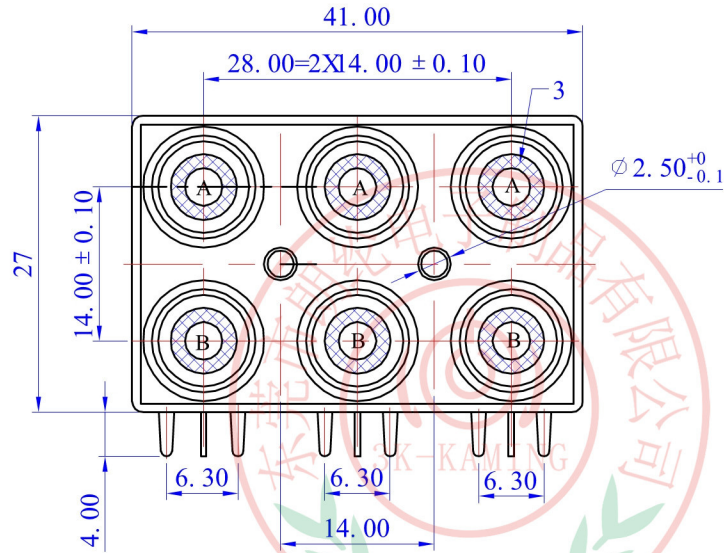


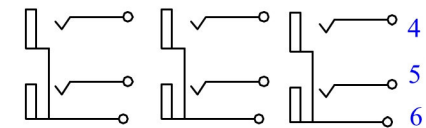
NO.	PARTCLUR	BY	DATE
REVISIONS			



PCB LAYOUT



CODE	A	B
COLOR	WHITE	RED



SCHEMATIC

8	COVER- B	ABS 94HB(V R G I N)	1	BLACK
7	COVER- A	ABS 94HB(V R G I N)	1	BLACK
6	TERMINAL- C	SPCC	3	Cu- Sn- PLATED
5	TERMINAL- B	H65- 0. 35Y	3	Cu- Sn- PLATED
4	TERMINAL- A	H65- 0. 35Y	3	Cu- Sn- PLATED
3	WASHER	ABS 94HB(V R G I N)	6	
2	SOCKET	H65- 0. 4M	6	Cu- Sn- PLATED
1	HOUSING	ABS 94HB(V R G I N)	1	BLACK
NQ	PART NAME	MATERIAL	QTY	FINISHING

MODEL NO.	RCA- 607FB	TOLERANCE:	± 0. 2	DRAWING BY:
TYPE:	RCA JACK	UNIT:	mm	CHECKED BY:
MATERIAL NO.	50160701	SCALE:	NO SCALE	APPROVED BY:



东莞市朗纶电子制品有限公司
Dongguan langlun electronic products Co., Ltd