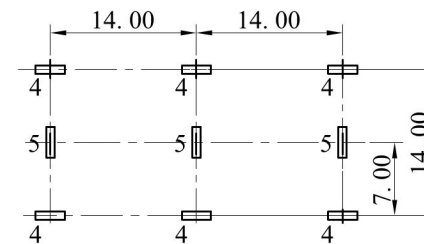
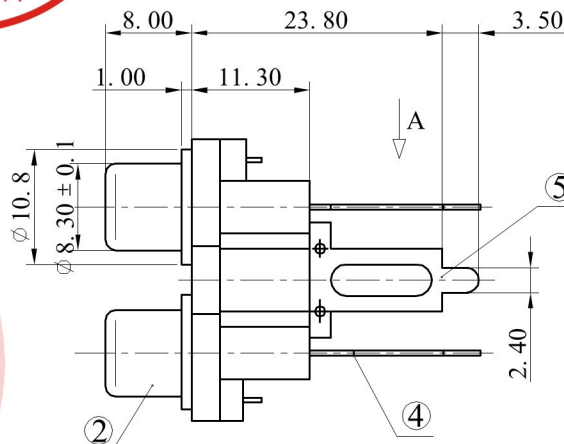
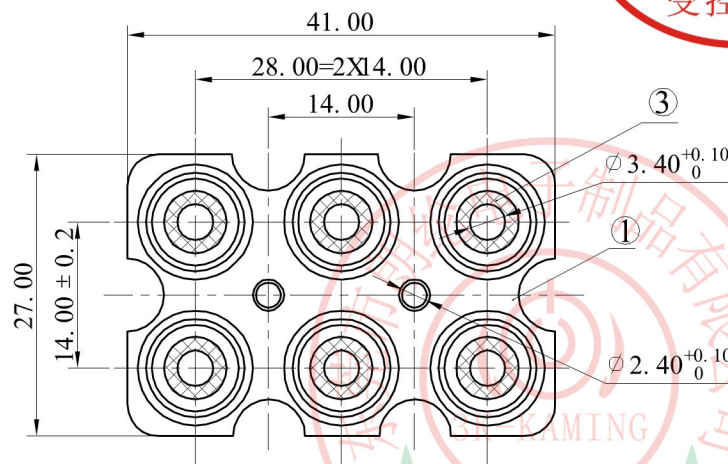
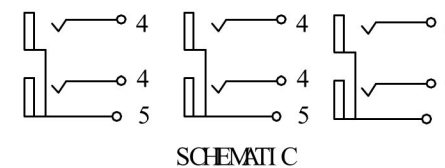
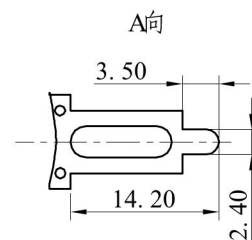
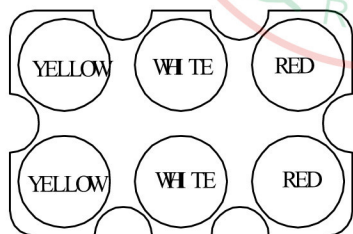




ALLOWANCE	
UNDER 3	± 0.1
3 TO 6	± 0.15
6 TO 15	± 0.2
15 TO 50	± 0.25
50 OVER	± 0.3



PCB LAYOUT  
TOP VIEW



SCHEMATIC

5	TERMINAL-B	BRASS t=0.5	3	CuSn PLATED
4	TERMINAL-A	BRASS t=0.5	6	CuSn PLATED
3	WASHER	ABS 94HB	6	YELLOW WHITE/ RED
2	SOCKET	BRASS t=0.4	6	CuSn PLATED
1	HOUSING	ABS 94HB	1	BLACK
NO.	PART NAME	MATERIAL	QTY	FINISHING

MODEL NO :RCA- 607F	ALLOWANCE:	DRAWN BY:
TYPE: RCA JACK	UNIT: mm	CHECKED BY:
MATERIAL NO :	SCALE:	APPROVED BY:
PROJECTION		东莞市朗纶电子制品有限公司 Dongguan langlun electronic products Co., Ltd