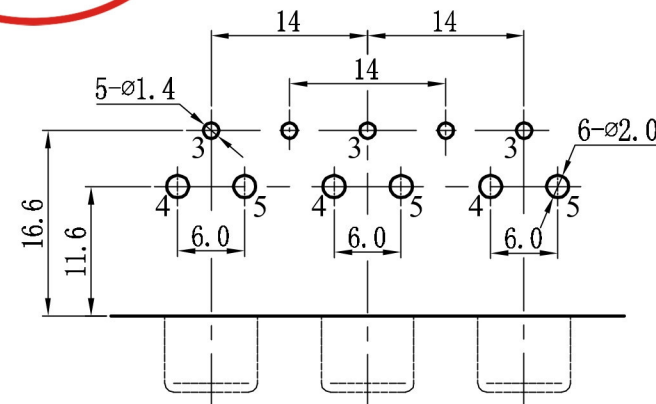
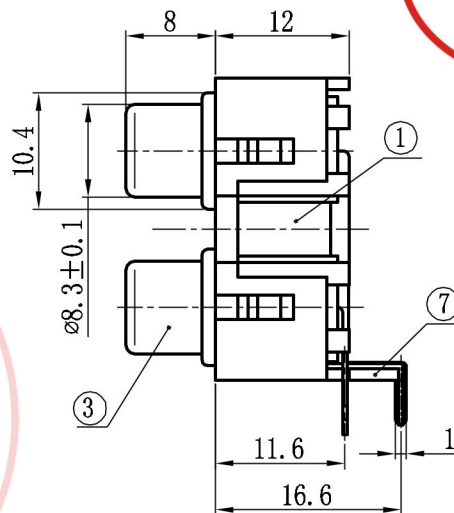
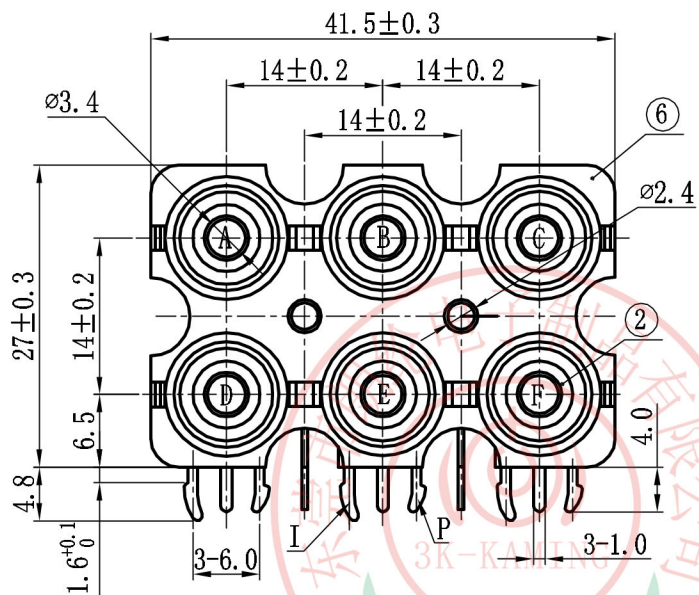
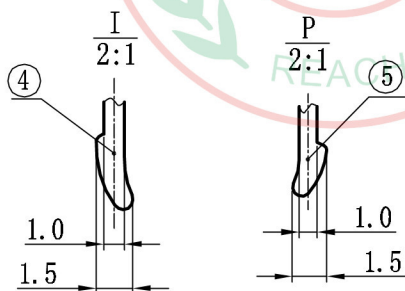


ALLOWANCE

UNDER 3	±0.1
3 TO 6	+0.15
6 TO 15	+0.2
15 TO 50	+0.25
50 OVER	+0.3

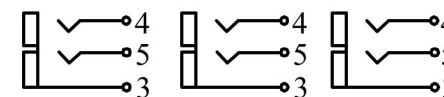


PCB LAYOUT
TOP VIEW



COLOR TABLE

CODE	A	B	C
COLOR	GREEN	BLUE	RED
CODE	D	E	F
COLOR	GREEN	BLUE	RED



SCHEMATIC

7	TERMINAL-C	BRASS t=0.5	2	CuSn PLATED
6	COVER	ABS	1	BLACK
5	TERMINAL-B	BRASS t=0.4	3	CuSn PLATED
4	TERMINAL-A	BRASS t=0.4	3	CuSn PLATED
3	SOCKET	BRASS t=0.36	3	CuSn PLATED
2	WASHER	ABS	6	SEE COLOR TABLE
1	HOUSE	ABS	3	WHITE
NO:	PART NAME	MATERIAL	QTY	FINISHING

MODEL NO: RCA-606E

ALLOWANCE:

DRAWN BY:

TYPE: RCA JACK

UNIT: mm

CHECKED BY:

MATERIAL NO:

SCALE:

APPROVED BY:

PROJECTION



东莞市朗纶电子制品有限公司
Dongguan langlun electronic products Co., Ltd