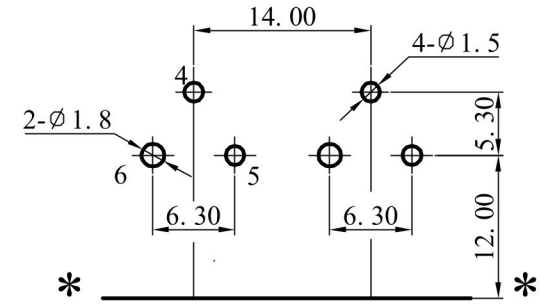
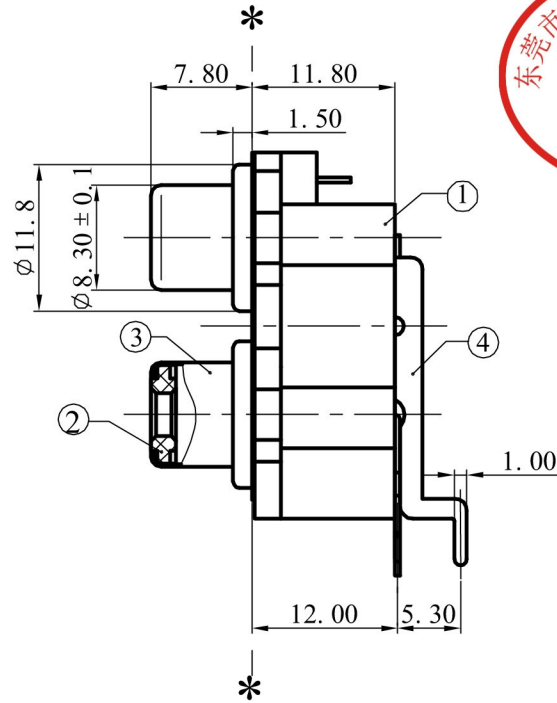
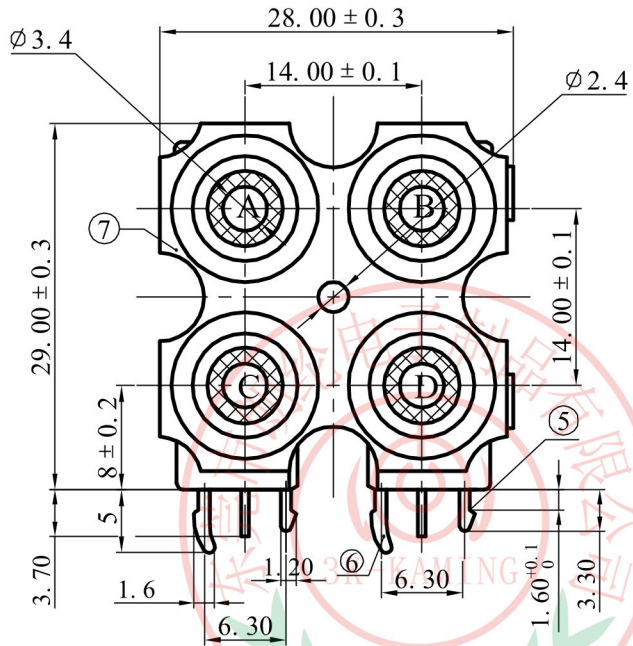


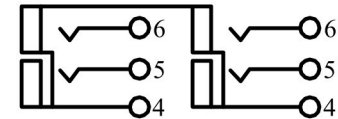
ALLOWANCE	
UNDER 3	± 0.1
3 TO 6	± 0.2
6 TO 15	± 0.3
15 TO 50	± 0.4
50 OVER	± 0.5



PCB LAYOUT  
TOP VIEW

COLOR TABLE

CODE	A	B
COLOR	BLACK	BLACK
CODE	C	D
COLOR	BLACK	BLACK



SCHEMATIC

NO	PART NAME	MATERIAL	QTY	FINISHING
7	COVER- P	BRASS t=0.2	2	Au PLATED
6	TERMINAL- C	BRASS t=0.4	2	Au PLATED
5	TERMINAL- B	BRASS t=0.4	2	Au PLATED
4	TERMINAL- A	BRASS t=0.6	2	Au PLATED
3	SOCKET	BRASS t=0.36	4	Au PLATED
2	WASHER	PBT	4	SEE COLOR TABLE
1	HOUSE	ABS	1	BLACK

MODEL NO: RCA-426P	TOLERANCE: ± 0.2	DRAWN BY:
TYPE: RCA JACK	UNIT: mm	CHECKED BY:
DRAWING NO:	SCALE: NO SCALE	APPROVED BY:
 <b>东莞市朗纶电子制品有限公司</b> Dongguan langlun electronic products Co., Ltd		