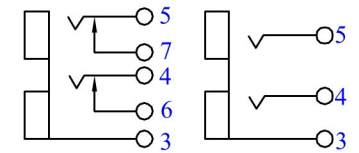
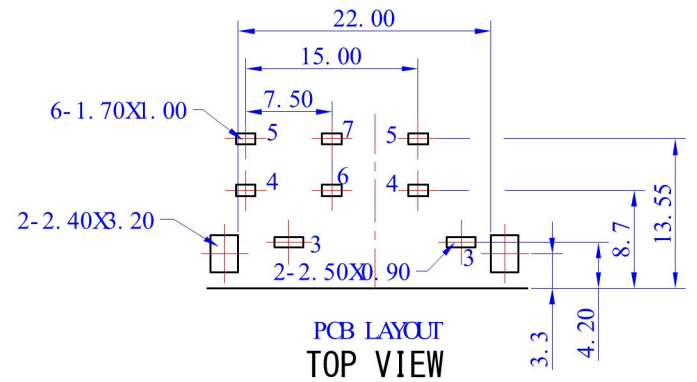
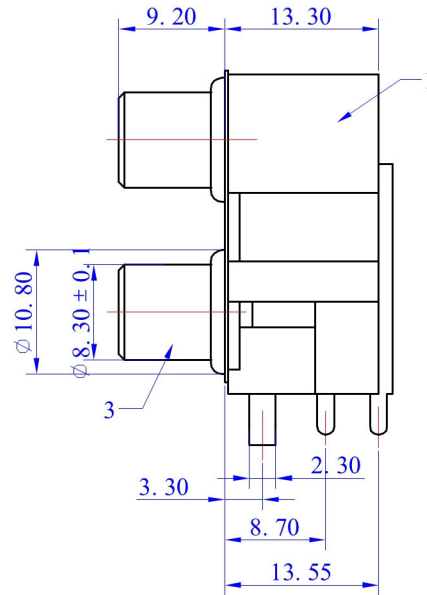
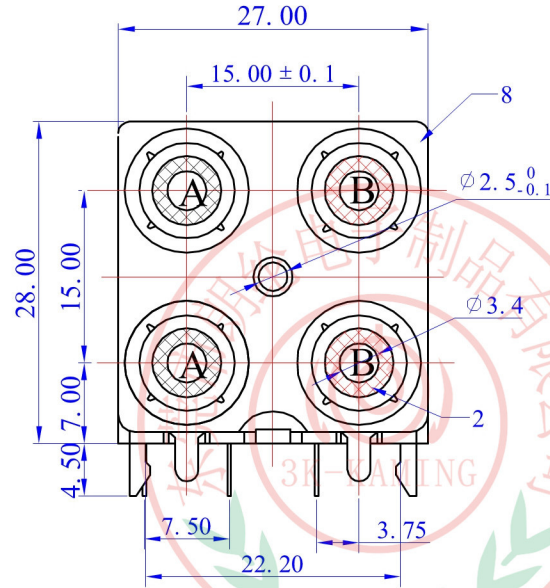


NO.	PART CLR	BY	DATE
REVISIONS			



CODE	A	B
COLOR	WHITE	RED



8	COVER- P	H65-0.3M	1	Cu- Sn PLATED
7	TERMINAL- D	H65-0.4Y	1	Ag PLATED
6	TERMINAL- C	H65-0.4Y	1	Ag PLATED
5	TERMINAL- B	QSn6.5-0.1-0.3Y	2	Ag PLATED
4	TERMINAL- A	QSn6.5-0.1-0.3Y	2	Ag PLATED
3	SOCKET	H65-0.4Y	2	Cu- Sn PLATED
2	WASHER	PBT(V RGIN)	4	
1	HOUSE	PBT(V RGIN)	1	BLACK
NO.	PART NAME	MATERIAL	QTY	FINISHING

MODEL NO : RCA 415D P	TOLERANCE: ± 0.3	DRAWN BY:
TYPE : RCA PIN JACK BOARD	UNIT: mm	CHECKED BY:
MATERIAL NO :	SCALE: NO SCALE	APPROVED BY: