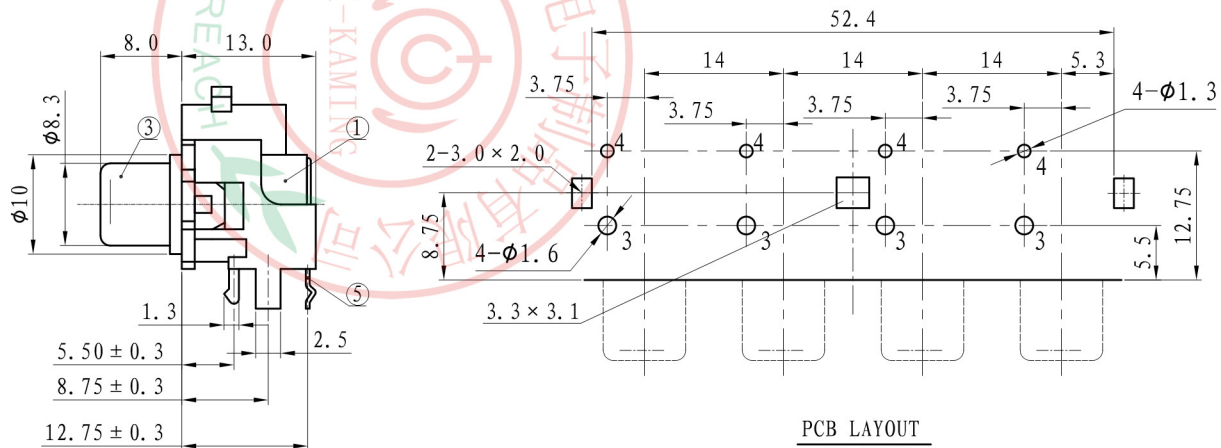
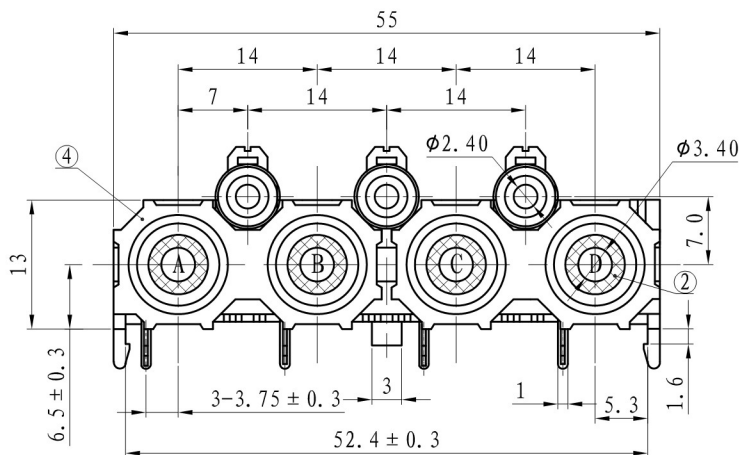


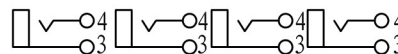
ALLOWANCE	
UNDER 3	± 0.1
3 TO 6	± 0.15
6 TO 15	± 0.2
15 TO 50	± 0.25
50 OVER	± 0.3



PCB LAYOUT
TOP VIEW

COLOR TABLE

CODE	A	B	C	D
COLOR	RED	WHITE	RED	WHITE



SCHEMATIC



5	TERMINAL	BRASS t=0.4	4	CuSn PLATED			
4	COVER	ABS	2	BLACK	MODEL NO: RCA-414	ALLOWANCE:	DRAWN BY: LXL 2016-6-1
3	SOCKET	BRASS t=0.36	4	CuSn PLATED	TYPE: RCA JACK	UNIT: mm	CHECKED BY: WLW 2016-6-1
2	WASHER	PBT	4	SEE COLOR TABLE	MATERIAL NO:	SCALE:	APPROVED BY: HXQ 2016-6-1
1	HOUSE	ABS	1	YELLOW	PROJECTION		
NO:	PART NAME	MATERIAL	QTY	FINISHING			



东莞市朗纶电子制品有限公司
Dongguan langlun electronic products Co., Ltd