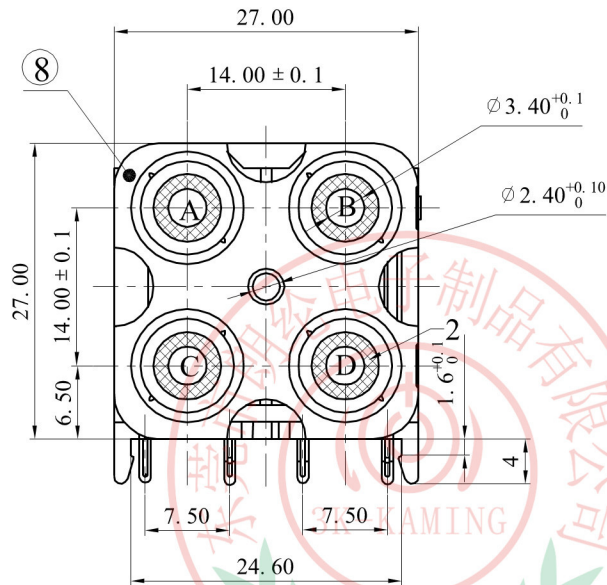
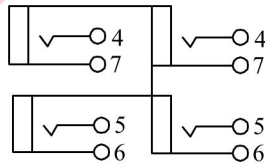


ALLOWANCE

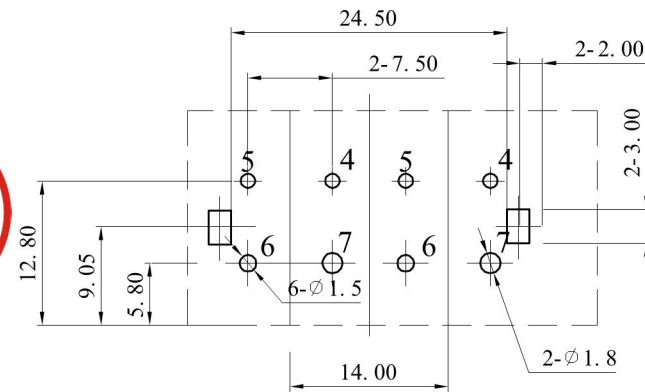
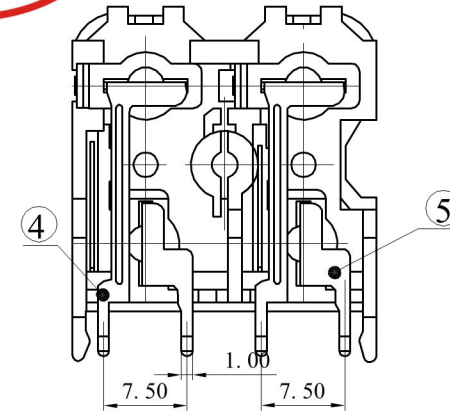
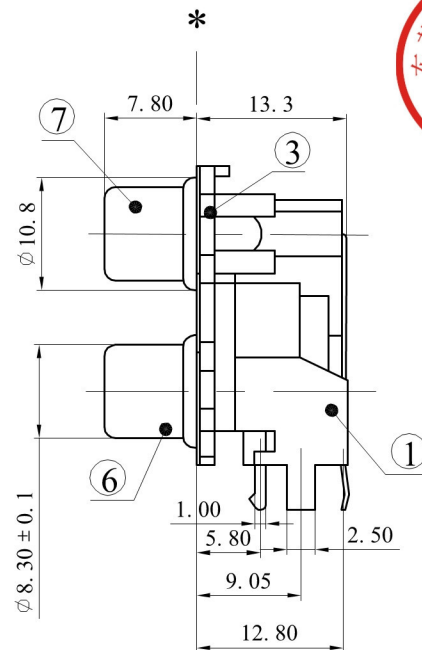
UNDER 3	± 0.1
3 TO 6	± 0.15
6 TO 15	± 0.2
15 TO 50	± 0.25
50 OVER	± 0.3



CODE	A	B
COLOR	GREEN	BLUE
CODE	C	D
COLOR	RED	BLACK



SCHMATIC



PCB LAYOUT
TOP VIEW

8	COVER- P	SPCC t=0.3	1	Cu- Sn PLATED
7	SOCKET- A	H65- 0. 4M	2	Cu- Sn PLATED
6	SOCKET- B	H65- 0. 4M	2	Cu- Sn PLATED
5	TERMINAL- B	H65- 0. 4Y	2	Cu- Sn PLATED
4	TERMINAL- A	H65- 0. 4Y	2	Cu- Sn PLATED
3	COVER	ABS 94HB	2	BLACK
2	WASHER	PBT	4	
1	HOUSE	ABS 94HB	1	BLACK
NQ	PART NAME	MATERIAL	QTY	FINISHING

MODEL NO :RCA- 413F/ P	ALLOWANCE:	DRAWN BY:
TYPE: RCA JACK	UNIT: mm	CHECKED BY:
MATERIAL NO :	SCALE:	APPROVED BY:
PROJECTION	东莞市朗纶电子制品有限公司 Dongguan langlun electronic products Co., Ltd	