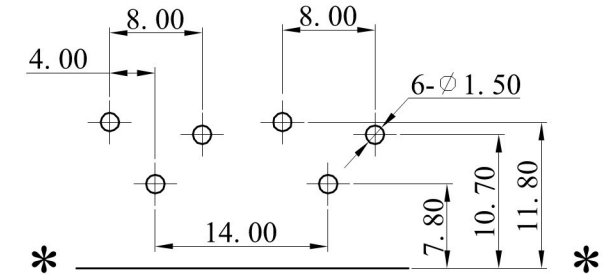
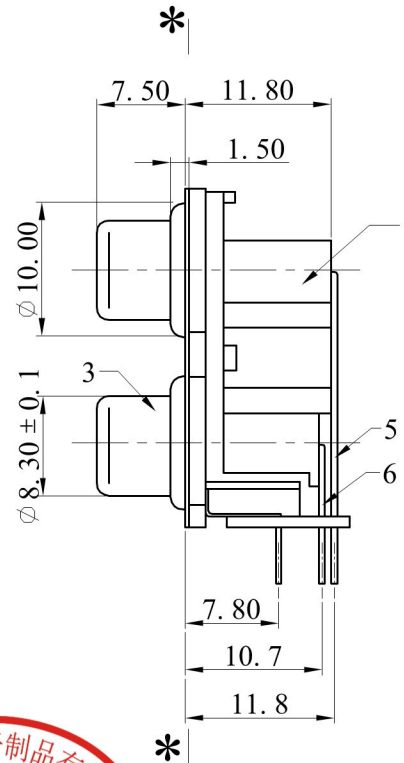
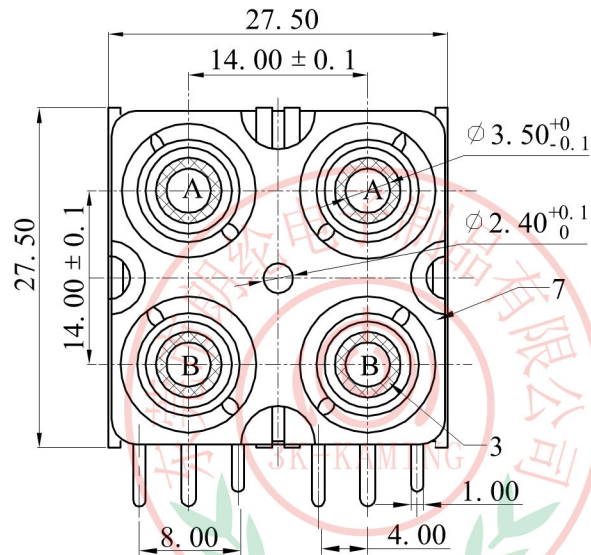
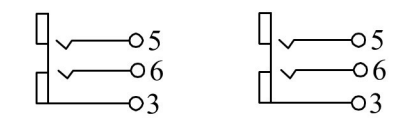


NO.	PART CLR	BY	DATE
REVISIONS			



PCB LAYOUT
TOP VIEW



SCHMATIC

CODE	A	B
COLOR	WHITE	RED



7	COVER-P	H65-0.3M	1	Cu-Sn PLATED
6	TERMINAL-B	H65-0.5Y	2	Cu-Sn PLATED
5	TERMINAL-A	H65-0.5Y	2	Cu-Sn PLATED
4	COVER	ABS-750(VIRGIN)	2	BLACK
3	SOCKET	H65-0.4M	2	Cu-Sn PLATED
2	WASHER	ABS-750(VIRGIN)	4	WHITE/RED
1	HOUSE	ABS-750(VIRGIN)	1	WHITE
NO.	PART NAME	MATERIAL	QTY	FINISHING

MODEL NO : RCA-410P	TOLERANCE: ±0.2	DRAWN BY:
TYPE : RCA JACK	UNIT: mm	CHECKED BY:
DRAWING NO :	SCALE: NO SCALE	APPROVED BY: