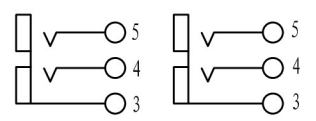
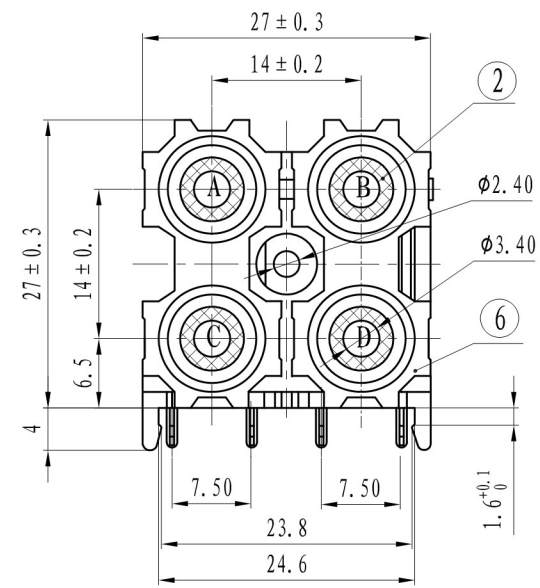


ALLOWANCE

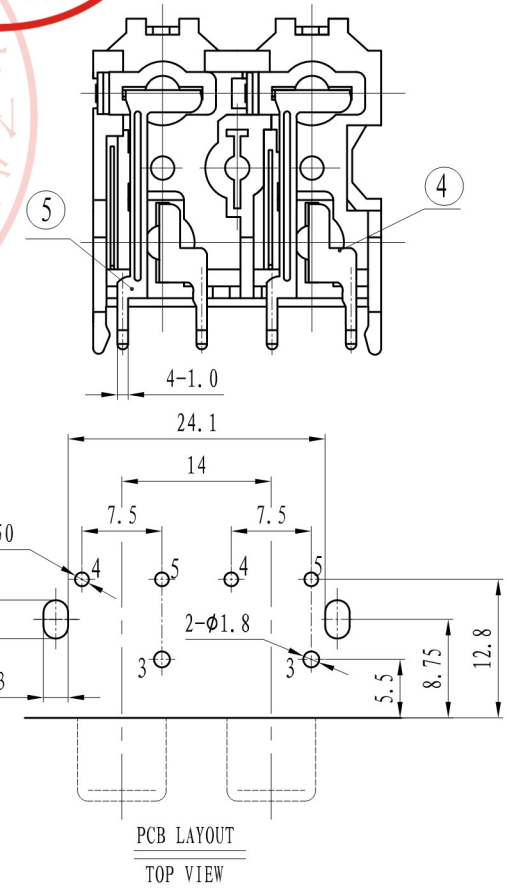
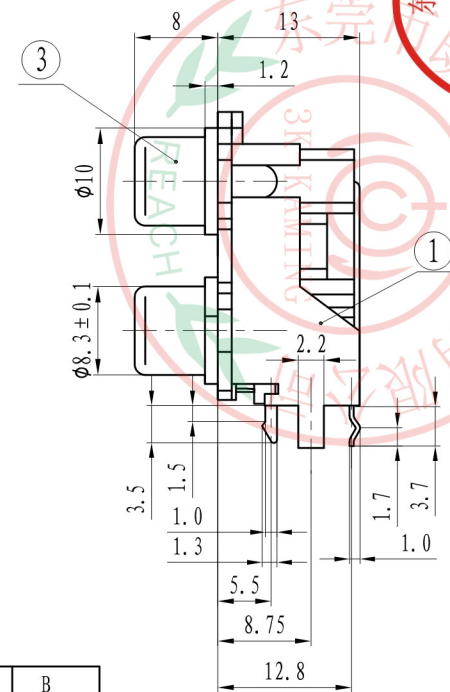
UNDER 3	± 0.1
3 TO 6	± 0.15
6 TO 15	± 0.2
15 TO 50	± 0.25
50 OVER	± 0.3



SCHEMATIC

COLOR TABLE

CODE	A	B
COLOR	WHITE	WHITE
CODE	C	D
COLOR	RED	RED



PCB LAYOUT  
TOP VIEW

6	COVER	ABS	2	BLACK
5	TERMINAL-B	BRASS t=0.35	2	CuSn PLATED
4	TERMINAL-A	BRASS t=0.35	2	CuSn PLATED
3	SOCKET	BRASS t=0.36	2	CuSn PLATED
2	WASHER	ABS	4	SEE COLOR TABLE
1	HOUSE	ABS	1	RED
NO:	PART NAME	MATERIAL	QTY	FINISHING

MODEL NO: RCA-413	ALLOWANCE:	DRAWN BY:
TYPE: RCA JACK	UNIT: mm	CHECKED BY:
MATERIAL NO:	SCALE:	APPROVED BY:
PROJECTION		
东莞市朗纶电子制品有限公司 Dongguan langlun electronic products Co., Ltd		