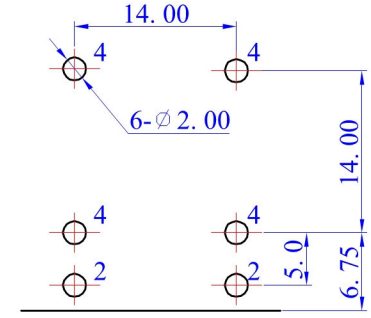
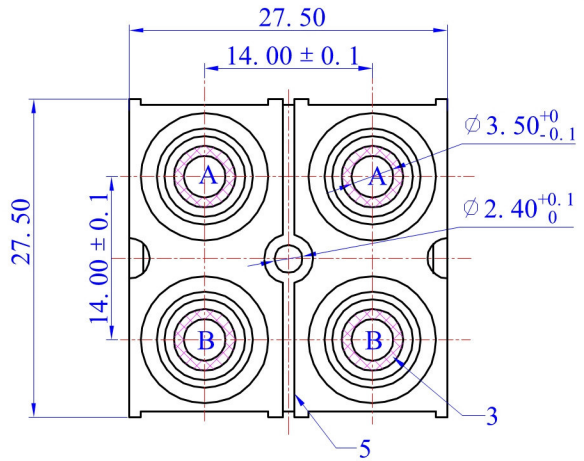
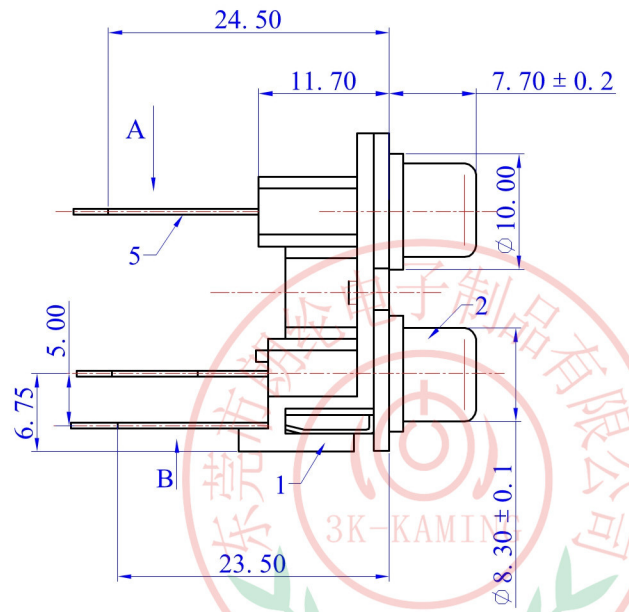
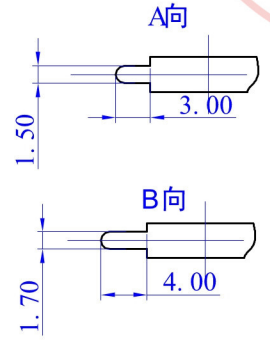


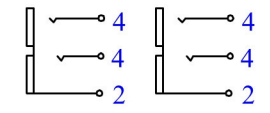
ALLOWANCE	
UNDER 3	± 0.1
3 TO 6	± 0.2
6 TO 15	± 0.3
15 TO 50	± 0.4
50 OVER	± 0.5



PCB LAYOUT



CODE	A	B
COLOR	WHITE	RED



SCHEMATIC



5	COVER	ABS 94HB(VIRGIN)	2	BLACK
4	TERMINAL- A	H65-0.5Y	4	Cu- Sn PLATED
3	WASHER	ABS 94HB(VIRGIN)	4	WHITE/ RED
2	SOCKET	H65-0.4M	2	Cu- Sn PLATED
1	HOUSING	ABS 94HB(VIRGIN)	1	WHITE
NO.	PART NAME	MATERIAL	QTY	FINISHING

MODEL NO. RCA-410B	ALLOWANCE:	DRAWN BY:
TYPE: RCA JACK	UNIT: mm	CHECKED BY:
DRAWING NO. 50141019	SCALE: NO SCALE	APPROVED BY:


东莞市朗纶电子制品有限公司
 Dongguan langlun electronic products Co., Ltd