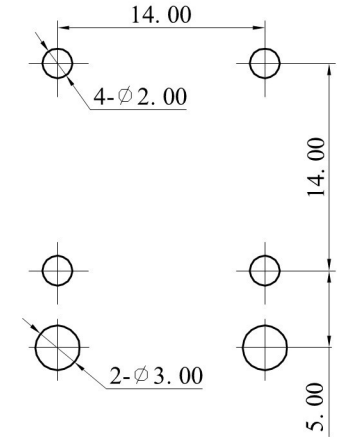
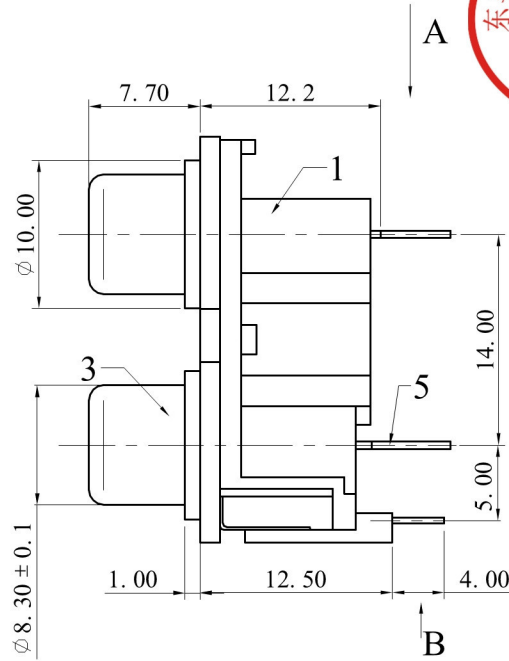
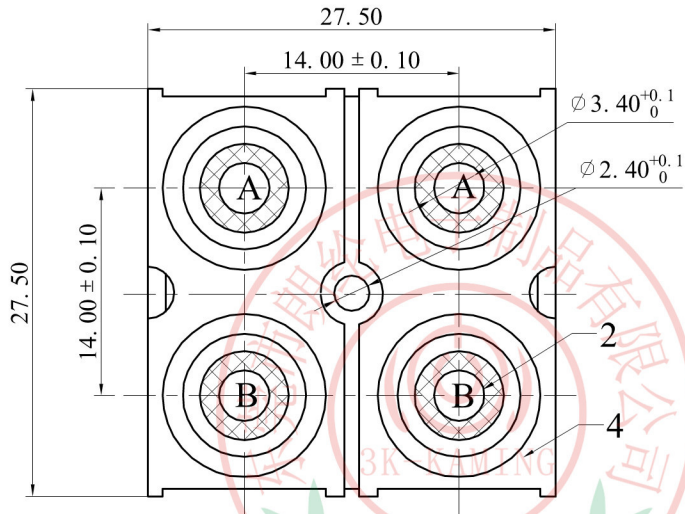
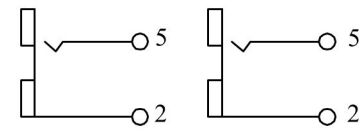
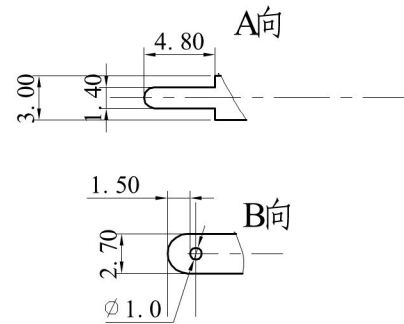


NO.	PARTIC LR	BY	DATE
REVISIONS			



PCNB LAYOUT
TOP VIEW



SCHEMAT

CODE	A	B
COLOR	WHITE	RED



5	TERMINAL	H65-0.5Y	4	Cu- Sn PLATED
4	COVER	ABS 94HB(VIRGIN)	2	Cu- Sn PLATED
3	SOCKET	H65-0.4M	2	Cu- Sn PLATED
2	WASHER	PBT- G30(VIRGIN)	4	
1	HOUSE	ABS 94HB(VIRGIN)	1	WHITE
NO.	PART NAME	MATERIAL	QTY	FINISHING

MODEL NO : RCA-410A	TOLERANCE: ±0.2	DRAWN BY:
TYPE :RCA PIN JACK BOARD	UNIT: mm	CHECKED BY:
DRAWING NO :50141010	SCALE: NO SCALE	APPROVED BY: