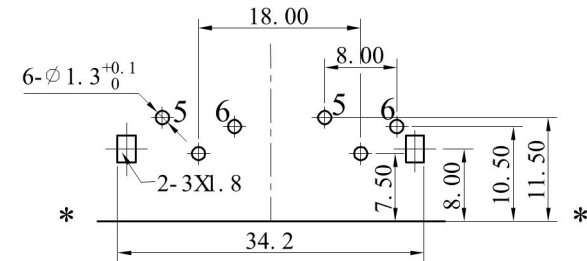
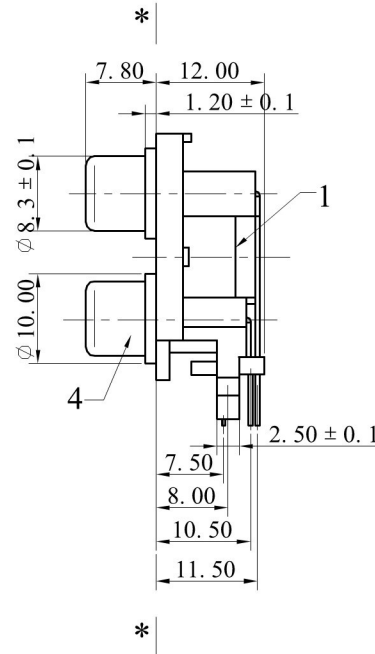
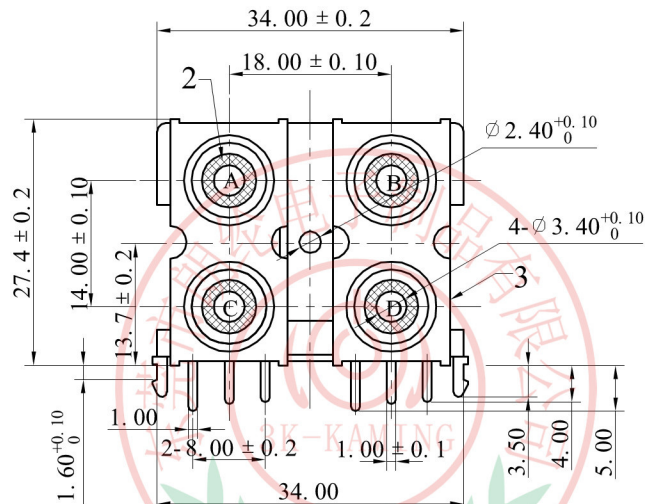
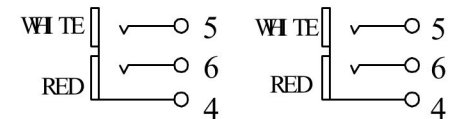


ALLOWANCE	
UNDER 3	± 0.1
3 TO 6	± 0.2
6 TO 15	± 0.3
15 TO 50	± 0.4
50 OVER	± 0.5



PCB LAYOUT
TOP VIEW

CODE	A	B
COLOR	WHITE	WHITE
CODE	C	D
COLOR	RED	RED



SCHMATIC

6	TERMINAL-B	H65-0.5Y	2	Cu-Sn PLATED
5	TERMINAL-A	H65-0.5Y	2	Cu-Sn PLATED
4	SOCKET	H65-0.4M	2	AU PLATED
3	COVER	ABS 94HB(MRGIN)	2	BLACK
2	WASHER	ABS 94HB(MRGIN)	4	
1	HOUSE	ABS 94HB(MRGIN)	1	WHITE
NQ	PART NAME	MATERIAL	QTY	FINISHING

MODEL NO : RCA-409	TOLERANCE: ± 0.3	DRAWN BY:
TYPE : RCA JACK	UNIT: mm	CHECKED BY:
MATERIAL NO :	SCALE: NO SCALE	APPROVED BY:
 东莞市朗纶电子制品有限公司 Dongguan langlun electronic products Co., Ltd		