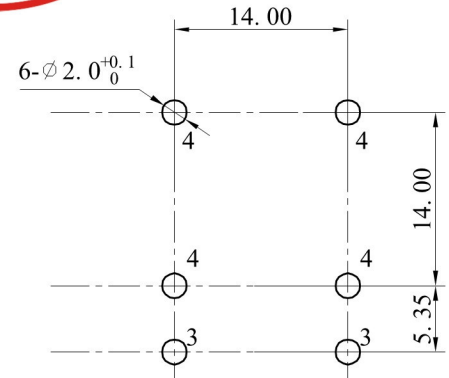
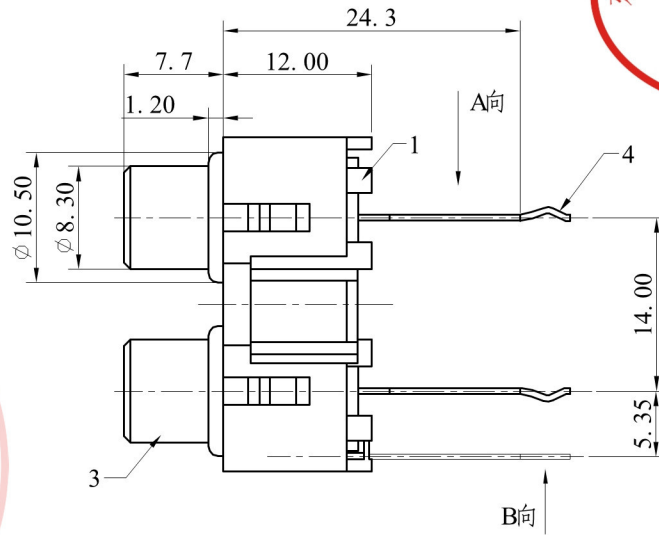
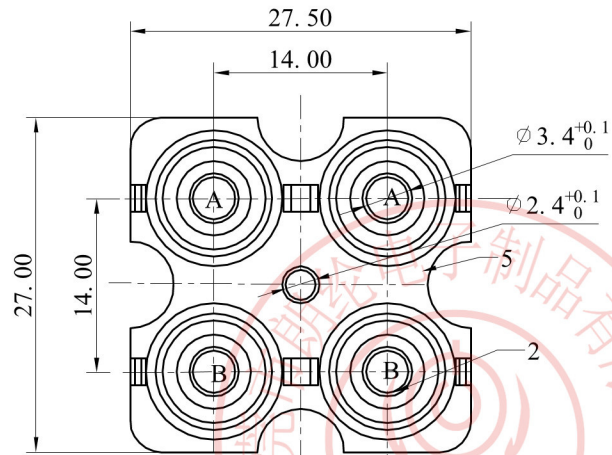
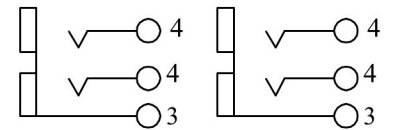
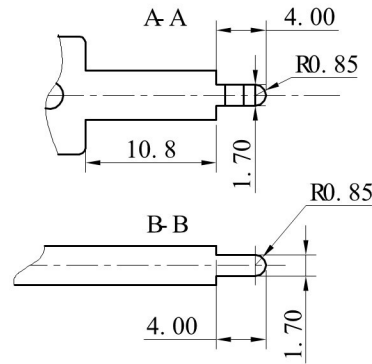




ALLOWANCE	
UNDER 3	± 0.1
3 TO 6	± 0.2
6 TO 15	± 0.3
15 TO 50	± 0.4
50 OVER	± 0.5



PCB LAYOUT
TOP VIEW




SCHEMATIC

CODE	A	B
COLOR	WHITE	RED



5	COVER	ABS-757(VIRIGN)	1	BLACK
4	TERMINAL-A	H65-0.5Y	4	Cu-Sn PLATED
3	SOCKET	H65-0.4Y	2	Cu-Sn PLATED
2	WASHER	ABS-757(VIRIGN)	4	
1	HOUSE	ABS-757(VIRIGN)	2	WHITE
NO.	PART NAME	MATERIAL	QTY	FINISHING

MODEL NO : RCA-406B	TOLERANCE : /	DRAWN BY:
TYPE : RCA JACK	UNIT : mm	CHECKED BY:
MATERIAL NO : 50140609	SCALE : NO SCALE	APPROVED BY:
 东莞市朗纶电子制品有限公司 Dongguan langlun electronic products Co., Ltd		