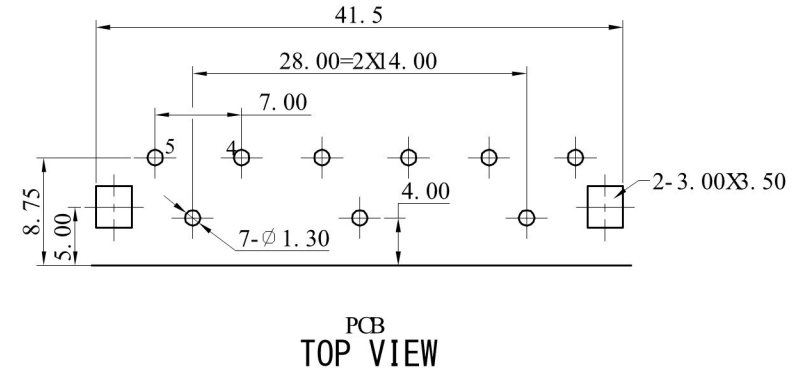
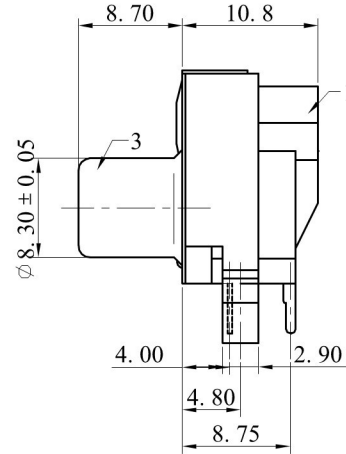
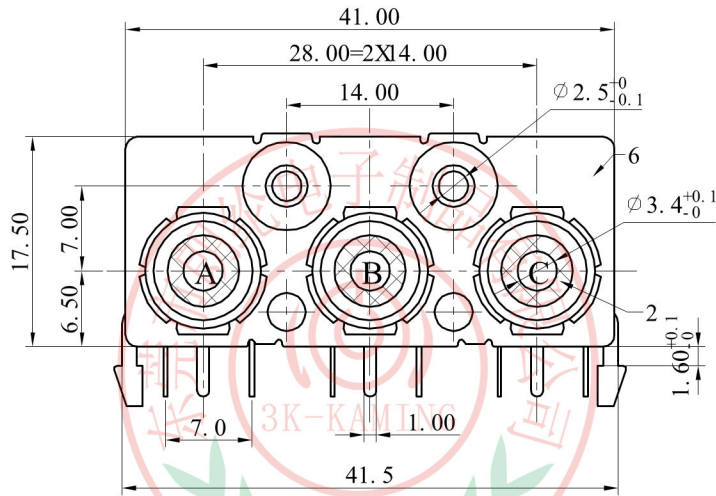
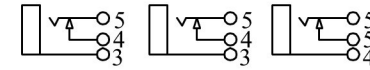


NO.	PART I LR	BY	DATE
REV I S I O N S			




CODE	A	B	C
COLOR	GREEN	BLUE	RED



SCH E M A T I C

6	COVER	H65-0.3Y	1	Cu- Sn PLATED
5	TERMI NAL- B	QSn6.5-0.1-0.3Y	3	Ag PLATED
4	TERMI NAL- A	H65-0.4Y	3	Ag PLATED
3	SOCKET	H65 0 4Y	3	Cu- Sn PLATED
2	WASHER	PBT	3	
1	HOUSE	ABS-757	1	BLACK
NO.	PART NAME	MATERI AL	QTY	FI N I SH I NG

MODEL NO : RCA-328P	TOLERANCE: ±0.2	DRAWN BY: 吴丽微06.05.11
TYPE : RCA PIN JACK BOARD	UNI T: mm	CHECKED BY:
DRAWING NO :	SCALE: NO SCALE	APPROVED BY:
	东莞市朗纶电子制品有限公司 Dongguan langlun electronic products Co., Ltd	