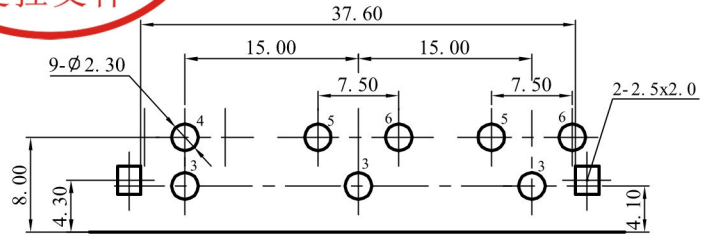
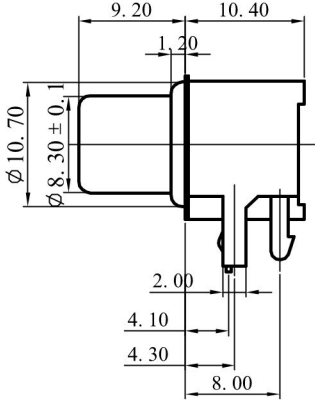
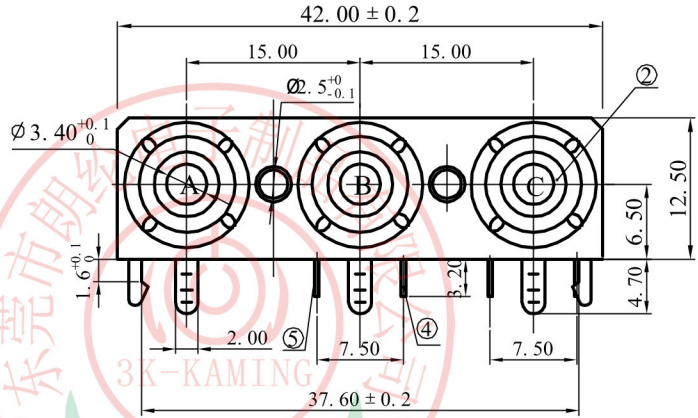
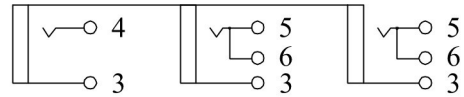




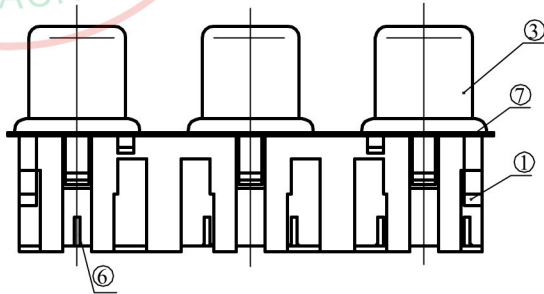
ALLOWANCE	
UNDER 3	± 0.1
3 TO 6	± 0.15
6 TO 15	± 0.2
15 TO 50	± 0.25
50 OVER	± 0.3



PCB LAYOUT
TOP VIEW



SCHEMATIC



COLOR TABLE

CODE	A	B	C
COLOR	YELLOW	RED	WHITE

7	COVER- P	BRASS t=0.3	1	CuSn PLATED
6	TERMINAL- C	BRASS t=0.5	1	CuSn PLATED
5	TERMINAL- B	BRONZE t=0.3	2	Ag PLATED
4	TERMINAL- A	BRASS t=0.4	2	Ag PLATED
3	SCCKET	BRASS t=0.4	3	CuSn PLATED
2	WASHER	PBT	3	SEE COLOR TABLE
1	HOUSING	PBT	1	BLACK
NQ	PART NAME	MATERIAL	QTY	FINISHING

MODEL NO. RCA-325D/P	ALLOWANCE:	DRAWN BY:
TYPE: RCA JACK	UNIT: mm	CHECKED BY:
MATERIAL NO.	SCALE:	APPROVED BY:
PROJECTION		
东莞市朗纶电子制品有限公司 Dongguan langlun electronic products Co., Ltd		