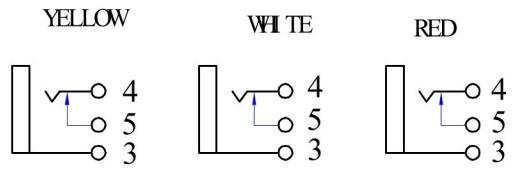
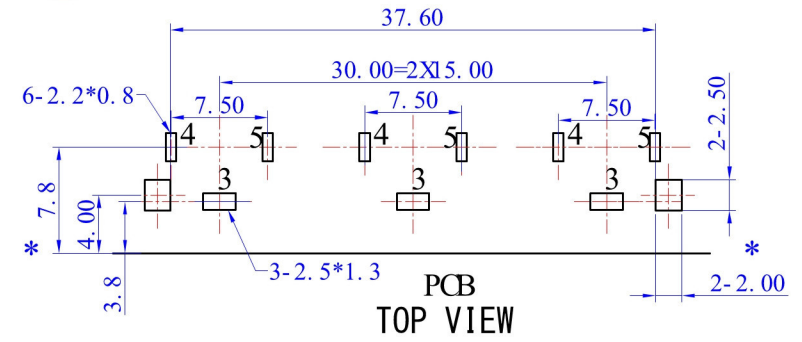
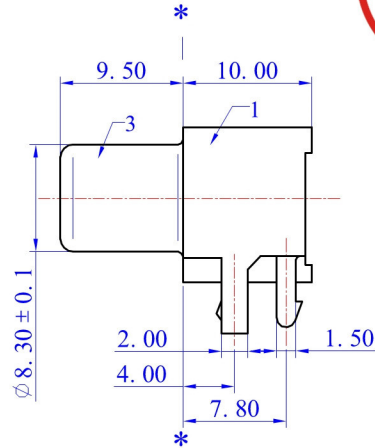
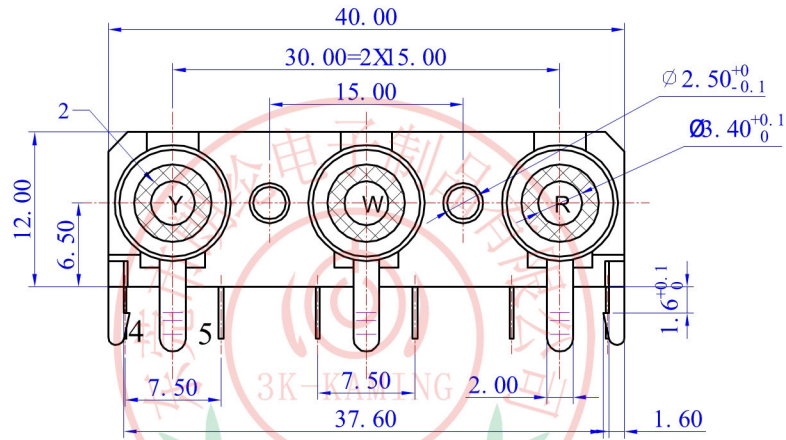


NO	PARTCLUR	BY	DATE
REVISIONS			



SCHMATIC



5	TERMINAL-B	H65-0.4Y	3	Ag-PLATED	MODEL NO. RCA-325D	TOLERANCE: ±0.2	DRAWN BY:
4	TERMINAL-A	QSn6.5-0.1-0.3Y	3	Ag-PLATED	TYPE: RCA JACK	UNIT: mm	CHECKED BY:
3	SOCKET	H65-0.4M	3	Cu-Sn-PLATED	DRAWING NO.	SCALE: NO SCALE	APPROVED BY:
2	WASHER	PBT-G30	3	YELLOW/WHITE/RED	 东莞市朗纶电子制品有限公司 Dongguan langlun electronic products Co., Ltd		
1	HOUSING	PBT-G30	1	BLACK			
NO.	PART NAME	MATERIAL	QTY	FINISHING			