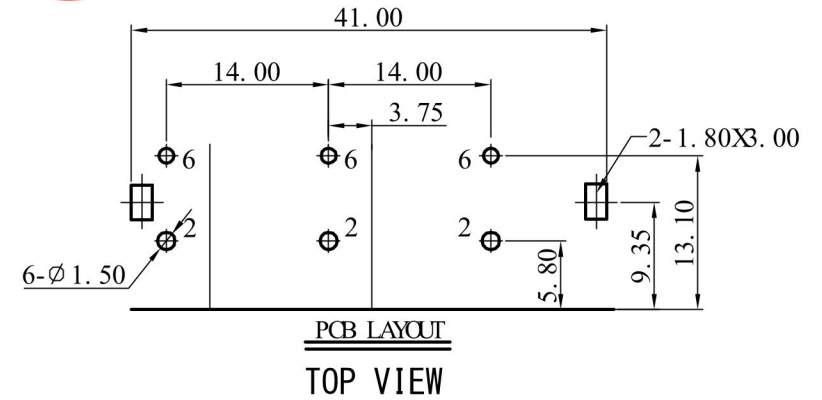
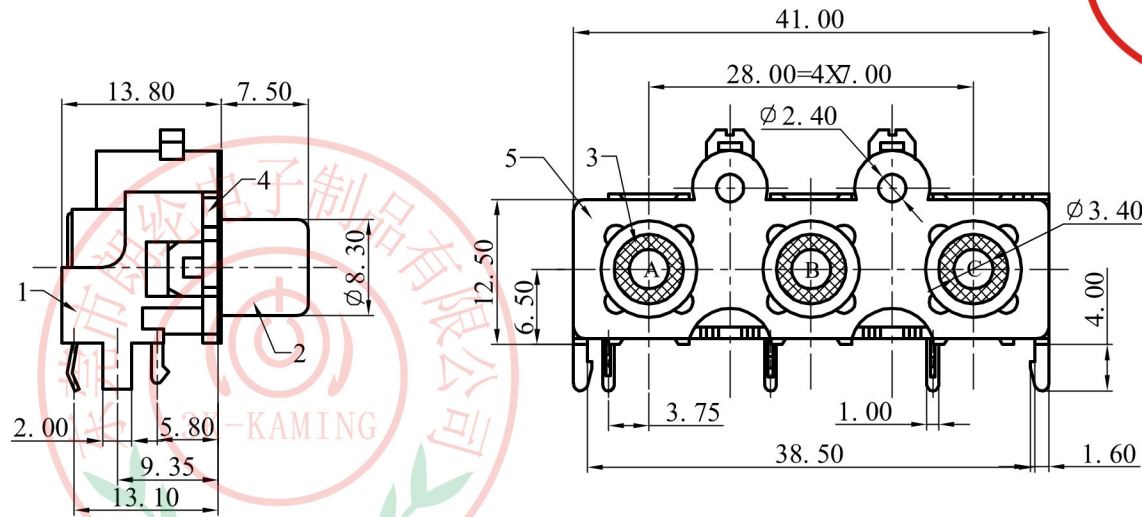



|           |          |    |      |
|-----------|----------|----|------|
| NO.       | PART CLR | BY | DATE |
| REVISIONS |          |    |      |



|       |     |       |        |
|-------|-----|-------|--------|
| CODE  | A   | B     | C      |
| COLOR | RED | WHITE | ORANGE |

|     |           |          |     |                |
|-----|-----------|----------|-----|----------------|
| 6   | TERMINAL  | H65-0.4Y | 3   | Cu- Sn PLATED  |
| 5   | COVER- P  | H65-0.3Y | 1   | Cu- Sn PLATED  |
| 4   | COVER     | ABS- 757 | 1   | BLACK          |
| 3   | WASHER    | ABS- 757 | 3   |                |
| 2   | SOCKET    | H65-0.4Y | 3   | Cu- Sn- PLATED |
| 1   | HOUSE     | ABS- 757 | 1   | ORANGE         |
| NO. | PART NAME | MATERIAL | QTY | FINISHING      |

|   |   |              |
|---|---|--------------|
| MODEL NO : RCA-314PB  | TOLERANCE: ±0.2   |              |
| TYPE :RCA PIN JACK BOARD  | UNIT: mm  | CHECKED BY:  |
| DRAWING NO :50131404  | SCALE: NO SCALE   | APPROVED BY: |
|  | <b>东莞市朗纶电子制品有限公司</b><br>Dongguan langlun electronic products Co., Ltd |              |