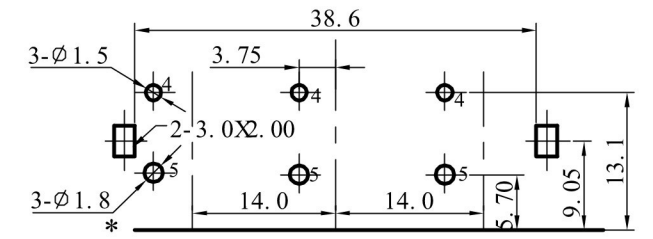
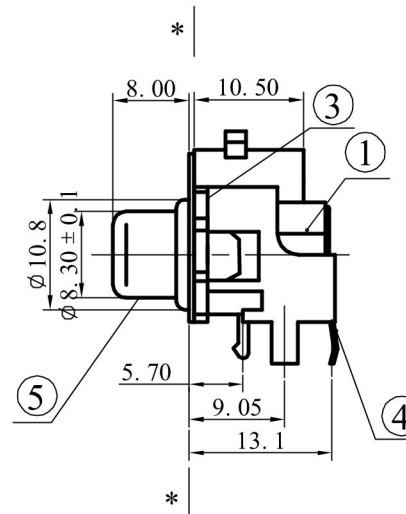
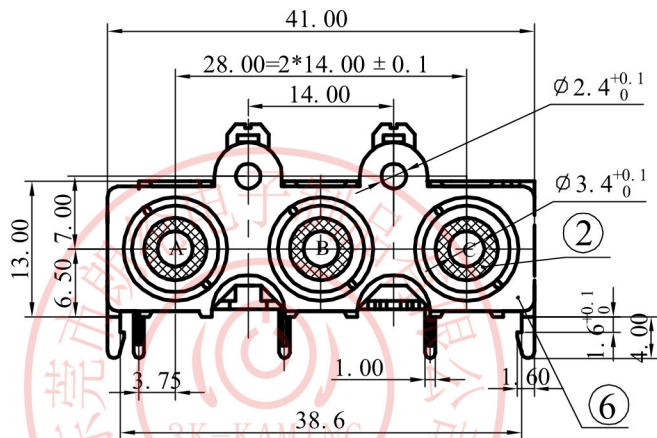
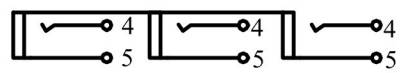


ALLOWANCE

UNDER 3	± 0.1
3 TO 6	± 0.15
6 TO 15	± 0.2
15 TO 50	± 0.25
50 OVER	± 0.3



PCBLAYOUT  
TOP VIEW



SCHMATIC

CODE	A	B	C
COLOR	YELLOW	YELLOW	YELLOW



6	COVER-P	H65-Q 3M	1	CuSn PLATED
5	SOCKET	H65-Q 4M	3	N PLATED
4	TERMINAL	H65-Q 4Y	3	CuSn PLATED
3	COVER	ABS	1	BLACK
2	WASHER	ABS	3	SEE COLOR TABLE
1	HOUSING	ABS	1	BLACK
NQ	PART NAME	MATERIAL	QTY	FINISHING

MODEL NO: RCA-314P	ALLOWANCE:	DRAWN BY:
TYPE: RCA JACK	UNIT: mm	CHECKED BY:
MATERIAL NO:	SCALE:	APPROVED BY:
PROJECTION	东莞市朗纶电子制品有限公司 Dongguan langlun electronic products Co., Ltd	