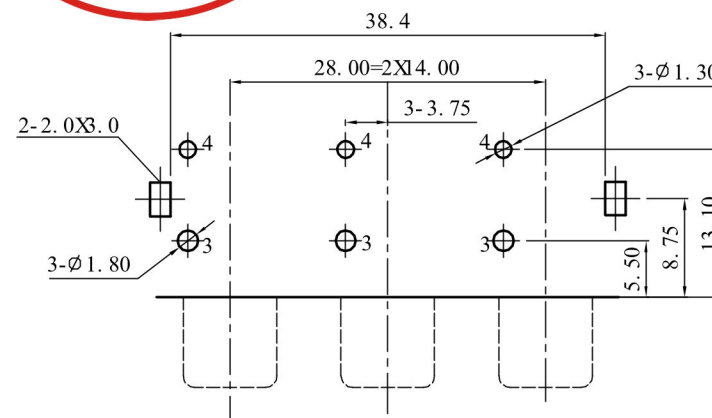
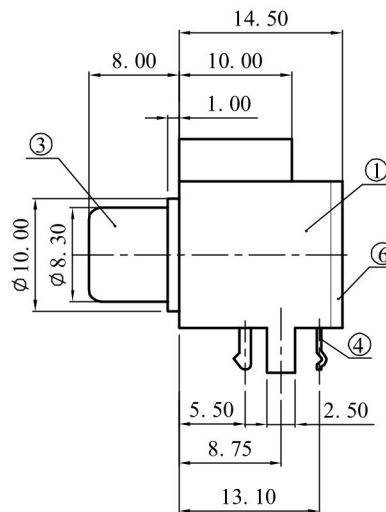
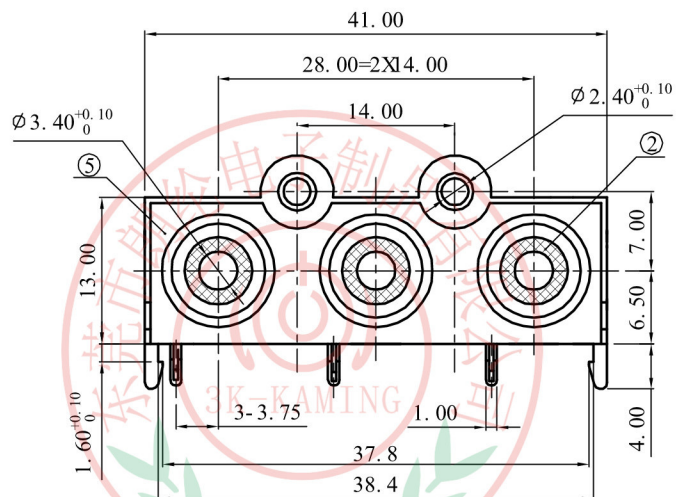
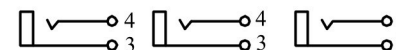
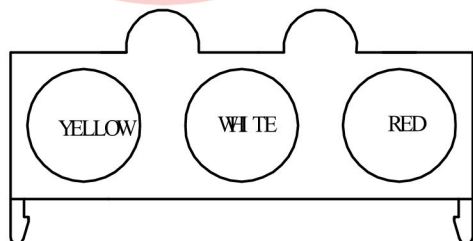


ALLOWANCE	
UNDER 3	± 0.1
3 TO 6	± 0.15
6 TO 15	± 0.2
15 TO 50	± 0.25
50 OVER	± 0.3



PCB LAYOUT



SCHEMATIC

6	COVER- B	ABS- 757(VIRGIN)	1	BLACK
5	COVER- A	ABS- 757(VIRGIN)	1	BLACK
4	TERMINAL	BRASS t=0.4	3	Cu- Sn PLATED
3	SOCKET	BRASS t=0.5	3	Cu- Sn PLATED
2	WASHER	ABS- 757(VIRGIN)	3	BLACK/ WHI TE/ RED
1	HOUSE	ABS- 757(VIRGIN)	1	BLACK
NQ	PART NAME	MATERI AL	QTY	FINI SHI NG

MODEL NO :RCA- 314FB	ALLOWANCE:	DRAWN BY:
TYPE: RCA JACK	UNIT: mm	CHECKED BY:
MATERI AL NO :	SCALE:	APPROVED BY:
PROJECTI ON	 东莞市朗纶电子制品有限公司 Dongguan langlun electronic products Co., Ltd	