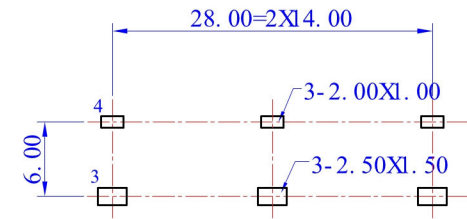
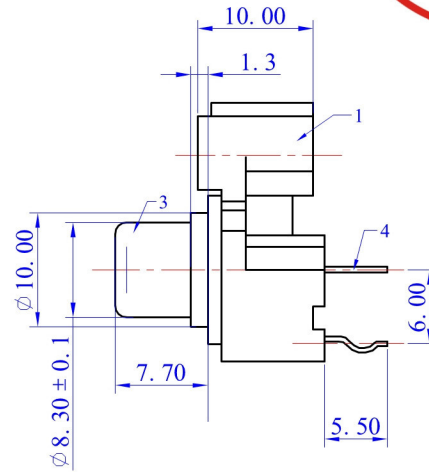
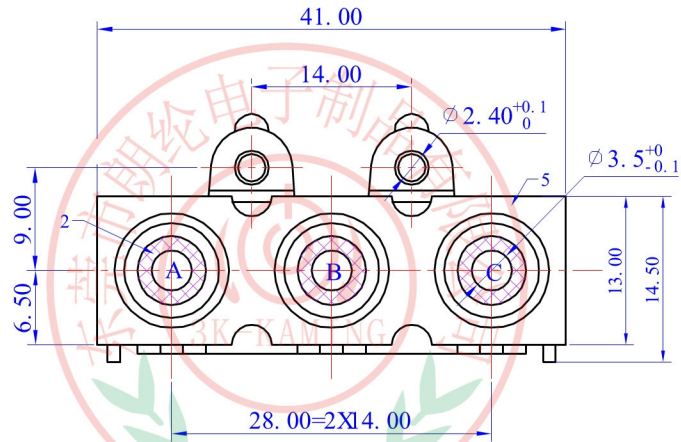


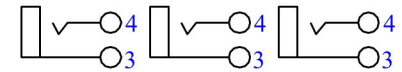
NO.	PART I LR	BY	DATE
REV I S I O N S			



PCB  
TOP VIEW



CODE	A	B	C
COLOR	YELLOW	WHITE	RED



SCHEMATIC

5	COVER	PA-757	1	BLACK
4	TERMINAL	H65-0.5Y	3	Cu-Sn PLATED
3	SOCKET	H65-0.4M	3	Cu-Sn PLATED
2	WASHER	PBT-G30	3	
1	HOUSE	PA-757	1	WHITE
NO.	PART NAME	MATERIAL	QTY	FINISHING

MODEL NO : RCA-310B	TOLERANCE: ±0.2	DRAWN BY:
TYPE : RCA PIN JACK BOARD	UNIT: mm	CHECKED BY:
DRAWING NO :	SCALE: NO SCALE	APPROVED BY:
	东莞市朗纶电子制品有限公司 Dongguan langlun electronic products Co., Ltd	