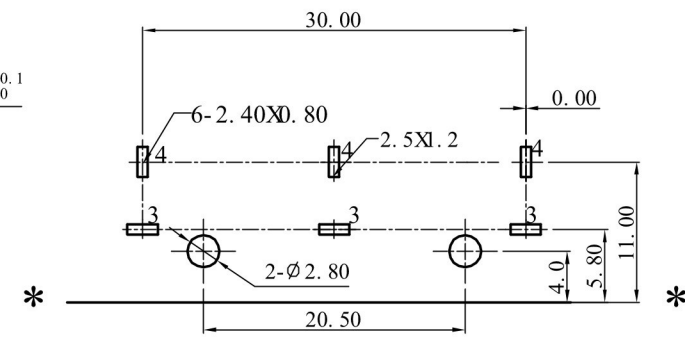
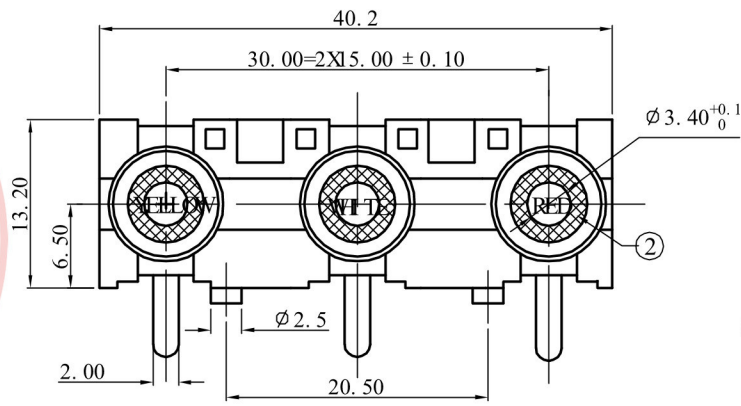
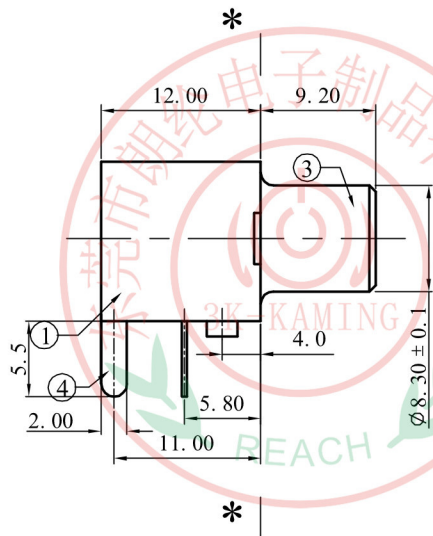
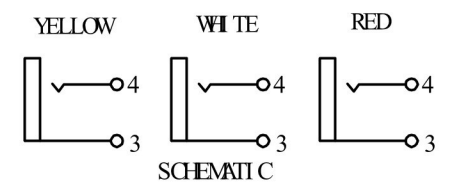


NO.	PARTICLR	BY	DATE
REVISIONS			



PCB LAYOUT  
TOP VIEW



4	TERMINAL- A	H65-0.5Y	3	Cu- Sn PLATED
3	SOCKET	H65-0.4M	3	Cu- Sn PLATED
2	WASHER	PBT	3	YELLOW/WHITE/ RED
1	HOUSE	ABS 94HB	1	BLACK
NO.	PART NAME	MATERIAL	QTY	FINISHING

MODEL NO : RCA-301	TOLERANCE: ± 0.2	DRAWN BY:
TYPE : RCA PIN JACK BOARD	UNIT: mm	CHECKED BY:
MATERIAL NO :	SCALE: NO SCALE	APPROVED BY: