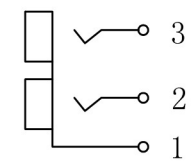


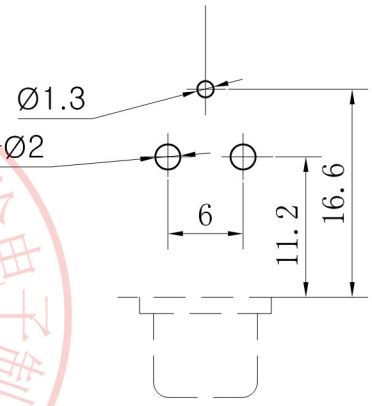
ALLOWANCE	
UNDER 3	±0.1
3 TO 6	±0.15
6 TO 15	±0.2
15 TO 50	±0.25
50 OVER	±0.3



SCHMATIC

COLOR TABLE:

CODE	A	B
COLOR	WHITE	RED



PCB LAYOUT

6	WASHER	ABS	2	SEE COLOR TABLE
5	TERMINAL-2	BRASS t=0.35	1	CuSn PLATED
4	TERMINAL-1	BRASS t=0.35	1	CuSn PLATED
3	SOCKET	BRASS t=0.35	1	Au PLATED
2	COVER	ABS	1	BLACK
1	HOUSE	ABS	1	WHITE
NO:	PART NAME	MATERIAL	QTY	FINISHING

MODEL NO: RCA-231	ALLOWANCE:	DRAWN BY:
TYPE: RCA JACK	UNIT: mm	CHECKED BY:
MATERIAL NO:	SCALE:	APPROVED BY:
PROJECTION	东莞市朗纶电子制品有限公司 Dongguan langlun electronic products Co., Ltd	