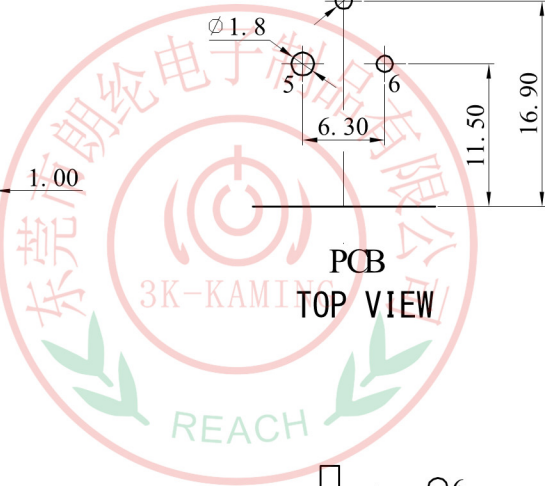
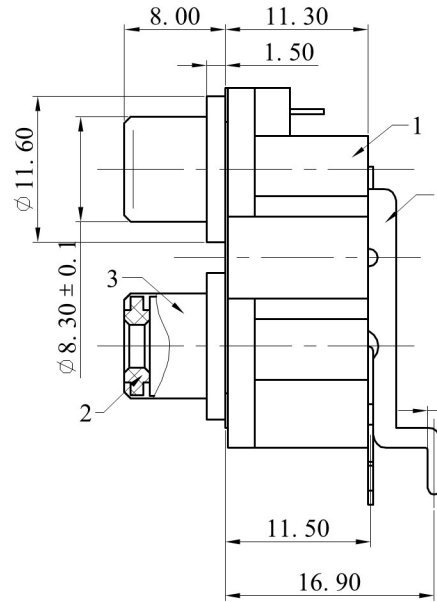
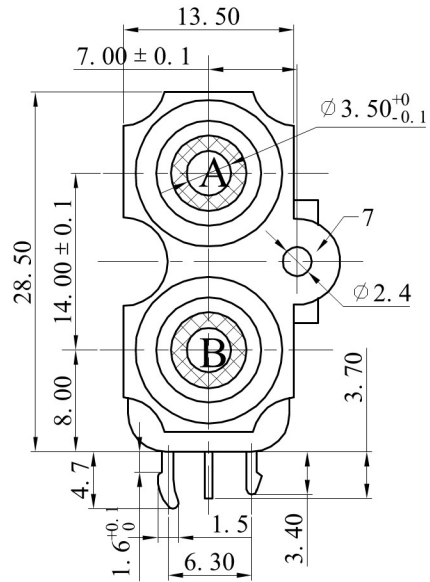
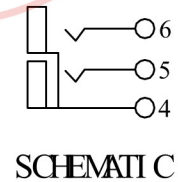


ALLOWANCE	
UNDER 3	± 0.1
3 TO 6	± 0.2
6 TO 15	± 0.3
15 TO 50	± 0.4
50 OVER	± 0.5




CODE	A	B
COLOR	WHITE	RED



NO	PART NAME	MATERIAL	QTY	FINISHING
7	COVER	H65-0.2Y	1	Au PLATED
6	TERMINAL- C	H65-0.4Y	1	Cu- Sn PLATED
5	TERMINAL- B	H65-0.4Y	1	Cu- Sn PLATED
4	TERMINAL- A	H65-0.6Y	1	Cu- Sn PLATED
3	SOCKET	H65-0.4M	2	Au PLATED
2	WASHER	ABS 94HB	2	
1	HOUSE	ABS 94HB	1	BLACK

MODEL NO : RCA-226P	TOLERANCE: ± 0.2	DRAWN BY: WULI WEI 07.3.29
TYPE : RCA PIN JACK BOARD	UNIT: mm	CHECKED BY:
DRAWING NO :	SCALE: NO SCALE	APPROVED BY:


东莞市朗纶电子制品有限公司
 Dongguan langlun electronic products Co., Ltd