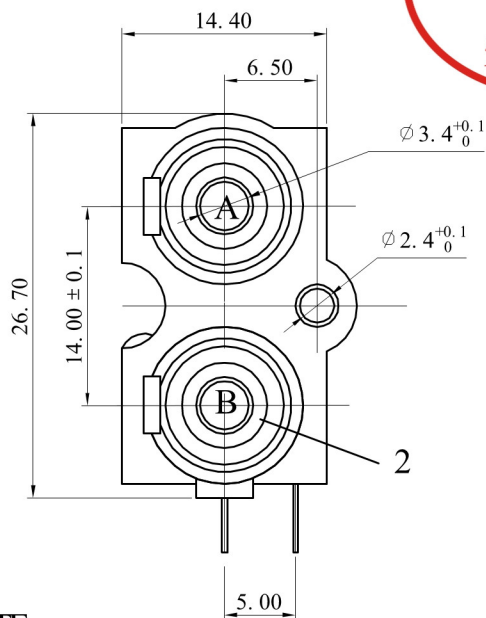
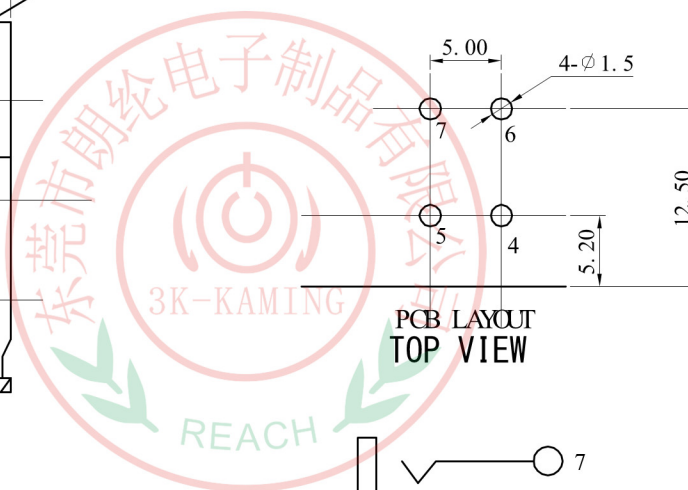
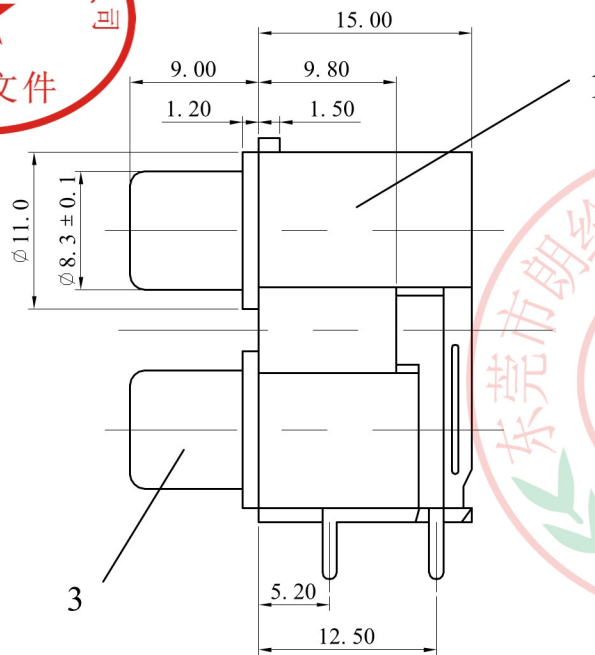


ALLOWANCE	
UNDER 3	± 0.1
3 TO 6	± 0.15
6 TO 15	± 0.2
15 TO 50	± 0.25
50 OVER	± 0.3

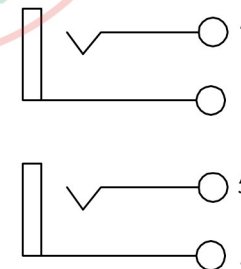


A- WHITE

B- RED



PCB LAYOUT
TOP VIEW



SCHEMATIC



7	TERMINAL-D	H65-0.5Y	1	Cu- Sn PLATED
6	TERMINAL-C	H65-0.4Y	1	Cu- Sn PLATED
5	TERMINAL-B	H65-0.5Y	1	Cu- Sn PLATED
4	TERMINAL-A	H65-0.4Y	1	Cu- Sn PLATED
3	SOCKET	H65-0.4M	1	Cu- Sn PLATED
2	WASHER	PBT	2	
1	HOUSE	ABS-757	1	BLACK
NO.	PART NAME	MATERIAL	QTY	FINISHING

MODEL NO :RCA-219

ALLOWANCE:

DRAWN BY:

TYPE: RCA JACK

UNIT: mm

CHECKED BY:

MATERIAL NO :

SCALE:

APPROVED BY:

PROJECTION



东莞市朗纶电子制品有限公司
Dongguan langlun electronic products Co., Ltd