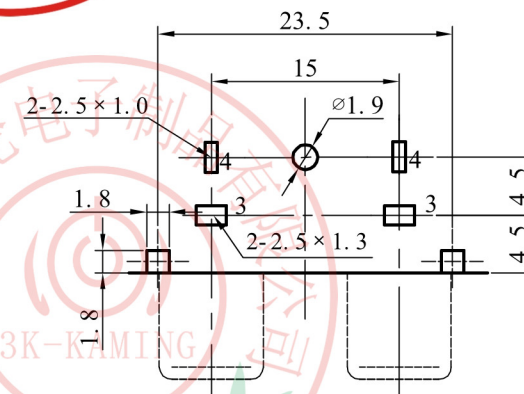
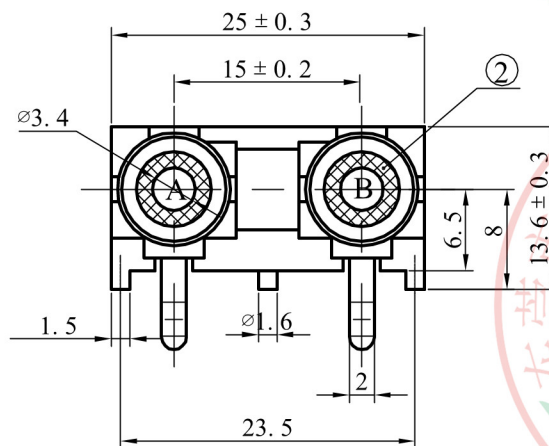
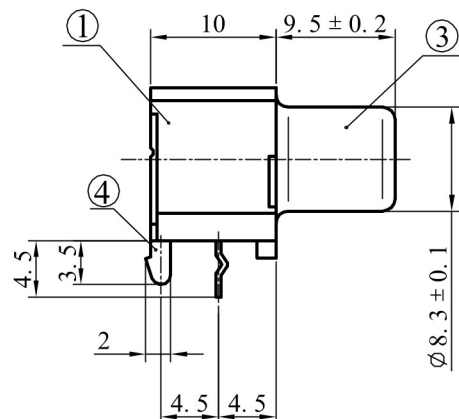


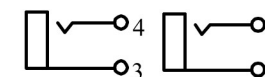
ALLOWANCE	
UNDER 3	± 0.1
3 TO 6	± 0.15
6 TO 15	± 0.2
15 TO 50	± 0.25
50 OVER	± 0.3




PCB LAYOUT  
TOP VIEW

COLOR TABLE

CODE	A	B
COLOR	RED	WHITE



SCHEMATIC

4	TERMINAL	BRASS t=0.5	2	CuSn PLATED	MODEL NO: RCA-215A	ALLOWANCE:	DRAWN BY:
3	SOCKET	BRASS t=0.4	2	CuSn PLATED			
2	WASHER	ABS	2	SEE COLOR TABLE	MATERIAL NO.	SCALE:	APPROVED BY:
1	HOUSE	ABS	1	BLACK	PROJECTION	 东莞市朗纶电子制品有限公司 Dongguan langlun electronic products Co., Ltd	
NO.	PART NAME	MATERIAL	QTY	FINISHING	