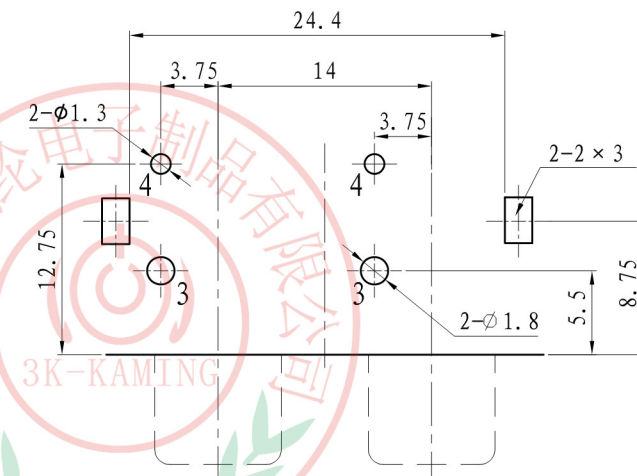
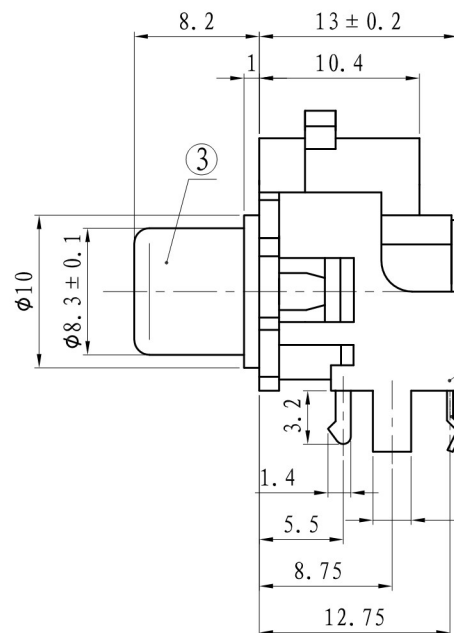
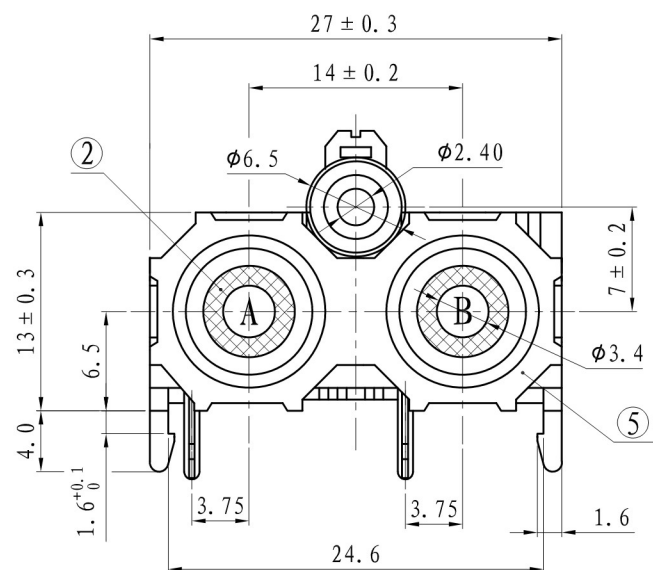


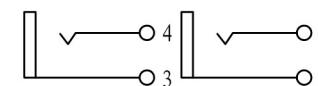
ALLOWANCE	
UNDER 3	± 0.1
3 TO 6	± 0.15
6 TO 15	± 0.2
15 TO 50	± 0.25
50 OVER	± 0.3



PCB LAYOUT
TOP VIEW

COLOR TABLE

CODE	A	B
COLOR	WHITE	RED



SCHEMATIC

5	COVER	ABS	1	BLACK
4	TERMINAL	BRASS t=0.35	2	Au PLATED
3	SOCKET	BRASS t=0.36	2	CuSn PLATED
2	WASHER	PBT	2	SEE COLOR TABLE
1	HOUSE	ABS	1	RED
NO:	PART NAME	MATERIAL	QTY	FINISHING

MODEL NO: RCA-214

ALLOWANCE:

DRAWN BY:

TYPE: RCA JACK

UNIT: mm

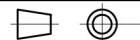
CHECKED BY:

MATERIAL NO:

SCALE:

APPROVED BY:

PROJECTION



东莞市朗纶电子制品有限公司
Dongguan langlun electronic products Co., Ltd