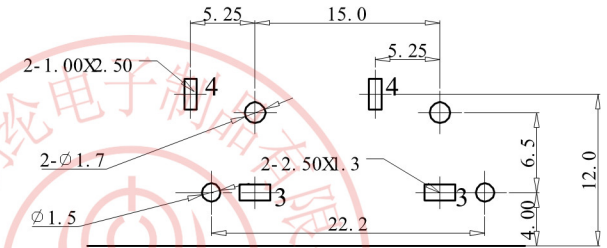
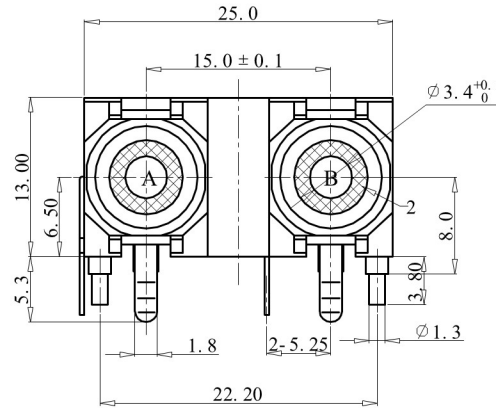
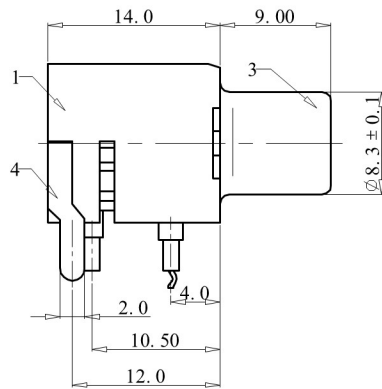


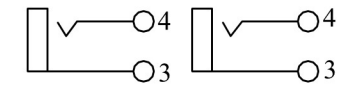
NO.	PARTICLR	BY	DATE
REVISIONS			



PCB LAYOUT  
TOP VIEW




CODE	A	B
COLOR	RED	WHITE



SCHEMATIC

4	TERMINAL	H65-0.5Y	2	Cu-Sn PLATED
3	SOCKET	H65-0.4M	2	Al PLATED (2 μm)
2	WASHER	PBT G30	2	
1	HOUSE	PBT G30	1	BLACK
NO.	PART NAME	MATERIAL	QTY	FINISHING

MODEL NO : RCA-212	TOLERANCE: ±0.3	DRAWN BY:
TYPE : RCA PIN JACK BOARD	UNIT: mm	CHECKED BY:
MATERIAL NO : 50121205	SCALE: NO SCALE	APPROVED BY:
	东莞市朗纶电子制品有限公司 Dongguan langlun electronic products Co., Ltd	