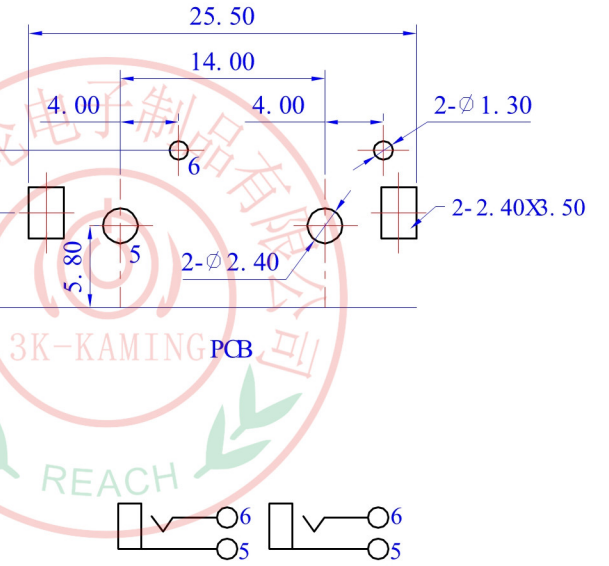
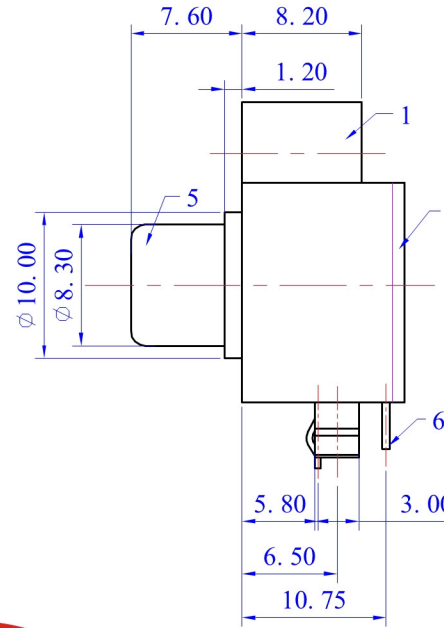
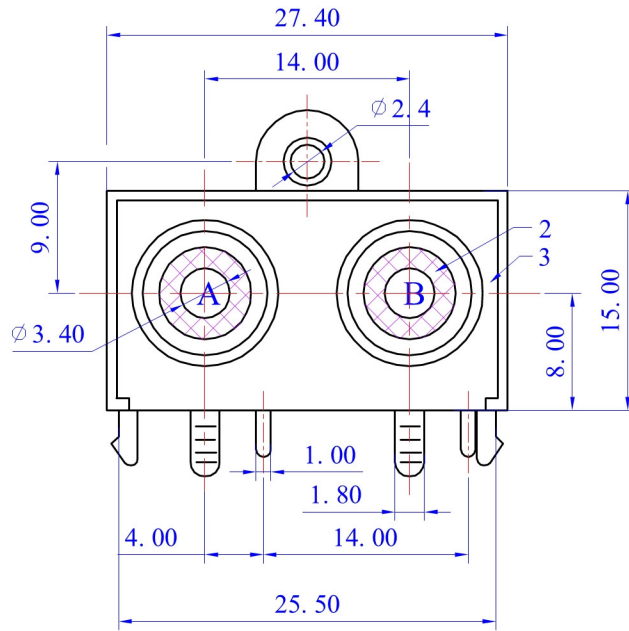


NO.	PARTICLR	BY	DATE
REV SI CNS			




SCHMATIC



CODE	A	B
COLOR	RED	WHITE

6	TERMINAL	H65-0.5Y	2	Cu-Sn PLATED
5	SOCKET	H65-0.4M	2	Al PLATED
4	COVER- B	ABS 94HB	1	BLACK
3	COVER- A	ABS 94HB	1	BLACK
2	WASHER	ABS 94HB	2	
1	HOUSE	ABS 94HB	1	BLACK
NO.	PART NAME	MATERIAL	QTY	FINISHING

MODEL NO : RCA-210FB	TOLERANCE: ±0.2	DRAWN BY:
TYPE :RCA PIN JACK BOARD	UNIT: mm	CHECKED BY:
DRAWING NO :RCA-210FB-0	SCALE: NO SCALE	APPROVED BY:
	东莞市朗纶电子制品有限公司 Dongguan langlun electronic products Co., Ltd	