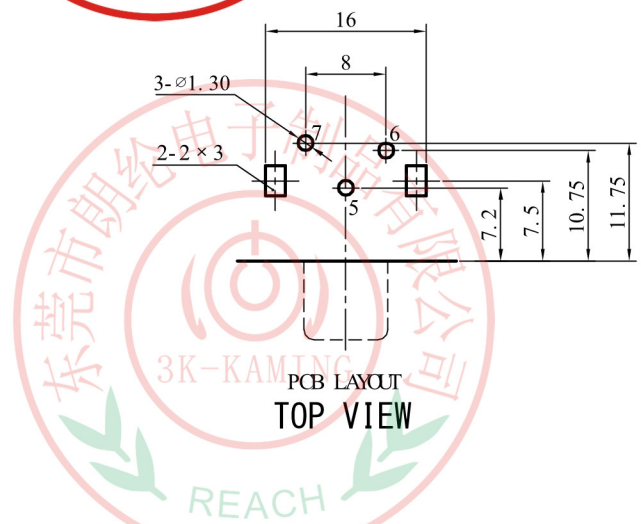
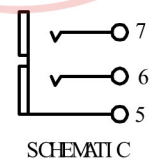


| ALLOWANCE |        |
|-----------|--------|
| UNDER 3   | ± 0.1  |
| 3 TO 6    | ± 0.15 |
| 6 TO 15   | ± 0.2  |
| 15 TO 50  | ± 0.25 |
| 50 OVER   | ± 0.3  |



COLOR TABLE

| CODE  | A   | B     |
|-------|-----|-------|
| COLOR | RED | WHITE |



| NO. | PART NAME  | MATERIAL    | QTY | FINISHING       |
|-----|------------|-------------|-----|-----------------|
| 6   | TERMINAL-B | BRASS t=0.5 | 1   | CuSn PLATED     |
| 5   | TERMINAL-A | BRASS t=0.5 | 1   | CuSn PLATED     |
| 4   | SOCKET     | BRASS t=0.4 | 1   | Au PLATED       |
| 3   | COVER      | ABS 94HB    | 1   | BLACK           |
| 2   | WASHER-A   | ABS 94HB    | 2   | SEE COLOR TABLE |
| 1   | HOUSE      | ABS 94HB    | 1   | WHITE           |

|                   |  |              |
|-------------------|--|--------------|
| MODEL NO: RCA-209 | ALLOWANCE:   | DRAWN BY:    |
| TYPE: RCA JACK    | UNIT: mm   | CHECKED BY:  |
| MATERIAL NO:      | SCALE:   | APPROVED BY: |
| PROJECTION        | 东莞市朗纶电子制品有限公司<br>Dongguan langlun electronic products Co., Ltd |              |
|                   |  |              |