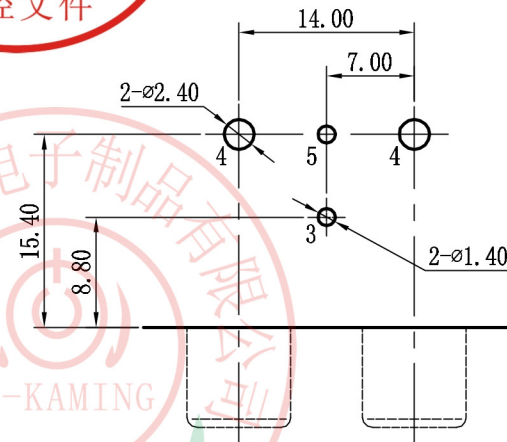
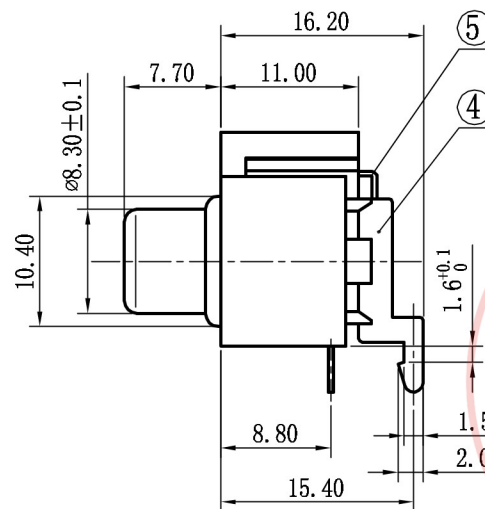
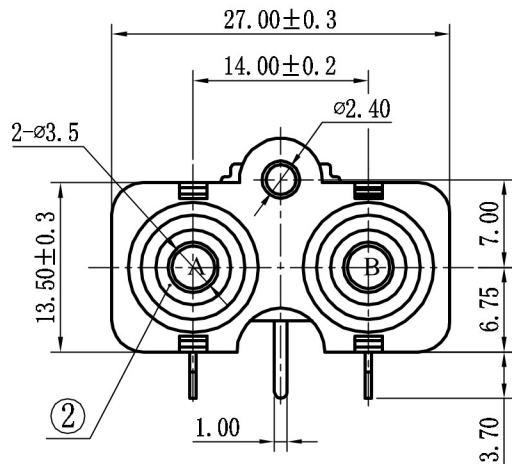
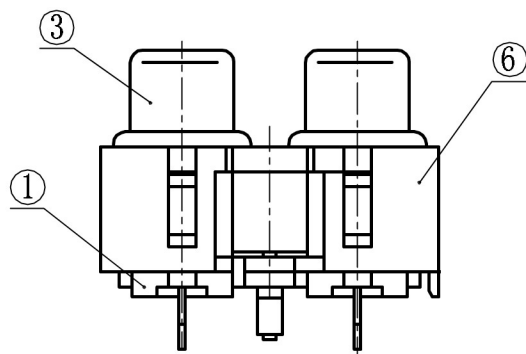


ALLOWANCE

UNDER 3	±0.1
3 TO 6	+0.15
6 TO 15	+0.2
15 TO 50	+0.25
50 OVER	+0.3

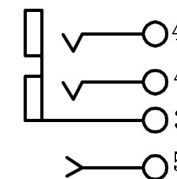


PCB LAYOUT



COLOR TABLE

CODE	A	B
COLOR	GREEN	GREEN



SCHEMATIC

NO:	PART NAME	MATERIAL	QTY	FINISHING
6	COVER	ABS	1	BLACK
5	TERMINAL-B	BRASS t=0.4	1	CuSn PLATED
4	TERMINAL-A	BRASS t=0.5	2	CuSn PLATED
3	SOCKET	BRASS t=0.36	1	CuSn PLATED
2	WASHER	ABS	2	SEE COLOR TABLE
1	HOUSE	ABS	1	WHITE

MODEL NO: RCA-206H/E	ALLOWANCE:	DRAWN BY:
TYPE: RCA JACK	UNIT: mm	CHECKED BY:
MATERIAL NO:	SCALE:	APPROVED BY:
PROJECTION	东莞市朗纶电子制品有限公司 Dongguan langlun electronic products Co., Ltd	