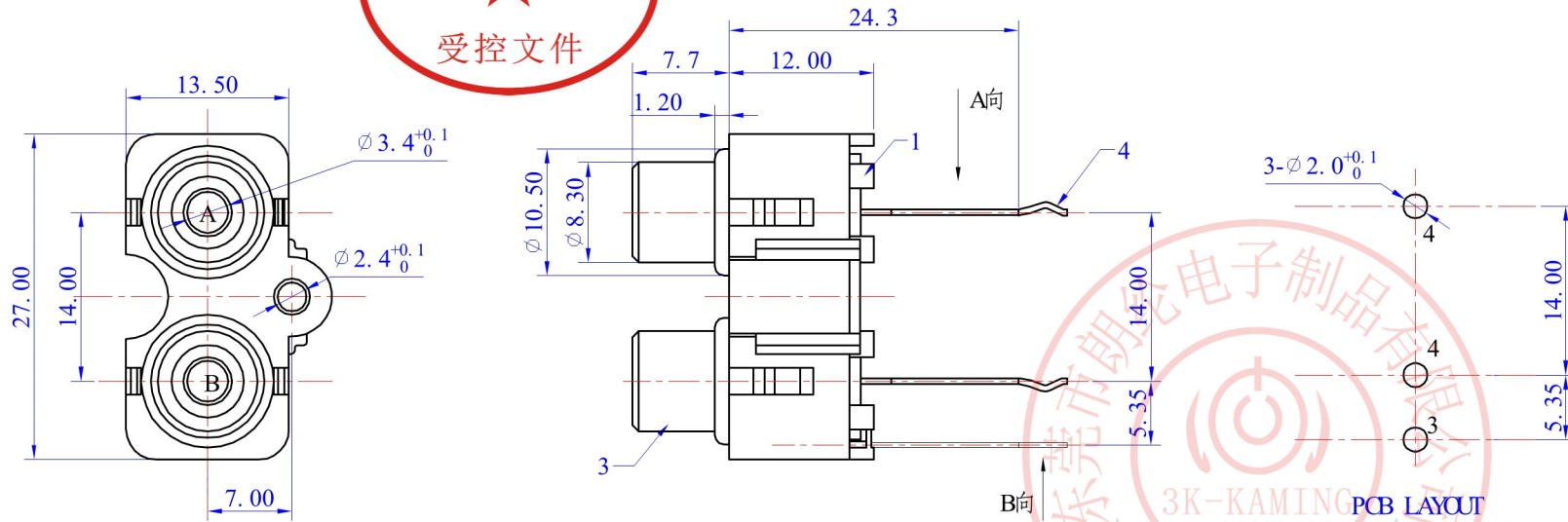
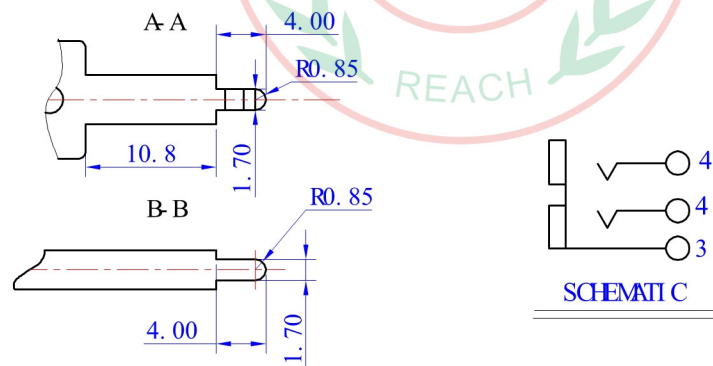



NO.	PART CLR	BY	DATE
REVISIONS			



CODE	A	B
COLOR	WHITE	RED



5	COVER	ABS 94HB(VIRI GN)	1	BLACK
4	TERMINAL- A	H65-0.5Y	2	Cu- Sn PLATED
3	SOCKET	H65-0.4Y	1	Cu- Sn PLATED
2	WASHER	ABS 94HB(VIRI GN)	2	
1	HOUSE	ABS 94HB(VIRI GN)	1	WHITE
NO.	PART NAME	MATERIAL	QTY	FINISHING

MODEL NO : RCA 206B	TOLERANCE: ± 0.2	DRAWN BY:
TYPE : RCA JACK	UNIT: mm	CHECKED BY:
MATERIAL NO : /	SCALE: NO SCALE	APPROVED BY:
 东莞市朗纶电子制品有限公司 Dongguan langlun electronic products Co., Ltd		