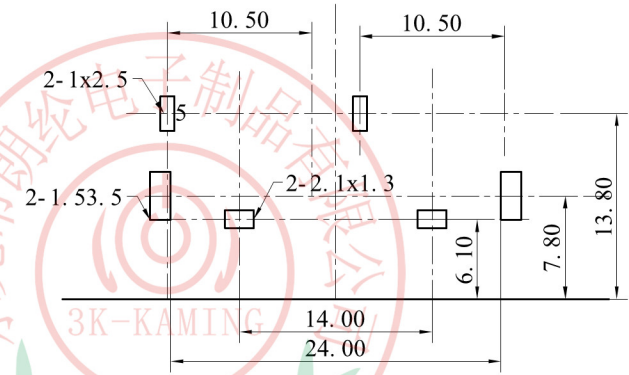
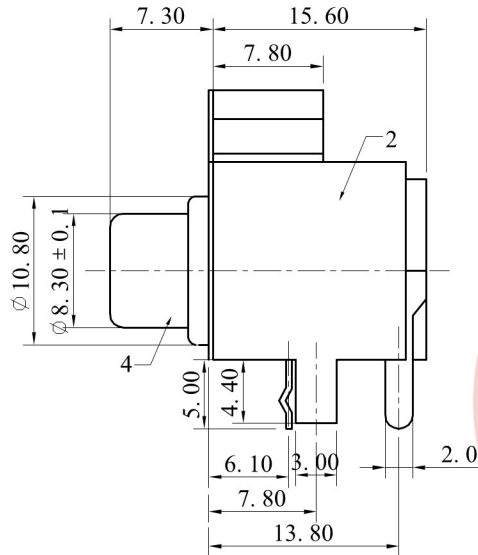
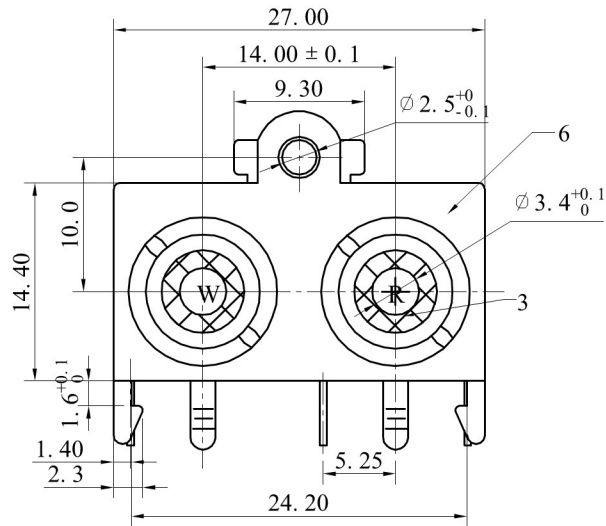
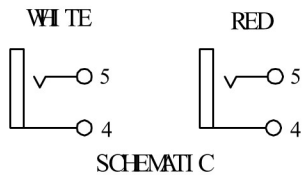



|           |            |    |      |
|-----------|------------|----|------|
| NO.       | PARTICULAR | BY | DATE |
| REVISIONS |            |    |      |



PCB LAYOUT  
TOP VIEW



|     |             |          |     |               |
|-----|-------------|----------|-----|---------------|
| 6   | COVER- P    | H65-0.3M | 1   | Cu- Sn PLATED |
| 5   | TERMINAL- A | H65-0.5Y | 1   | Cu- Sn PLATED |
| 4   | SOCKET      | H65-0.4M | 2   | Cu- Sn PLATED |
| 3   | WASHER      | ABS      | 2   | WHITE/ RED    |
| 2   | COVER       | ABS      | 1   | BLACK         |
| 1   | HOUSE       | ABS      | 2   | BLACK         |
| NO. | PART NAME   | MATERIAL | QTY | FINISHING     |

|   |                  |              |
|---|------------------|--------------|
| MODEL NO : RCA 204P   | TOLERANCE: ± 0.2 | DRAWN BY:    |
| TYPE : RCA PIN JACK BOARD   | UNIT: mm         | CHECKED BY:  |
| MATERIAL NO :   | SCALE: NO SCALE  | APPROVED BY: |
|  <b>东莞市朗纶电子制品有限公司</b><br>Dongguan langlun electronic products Co., Ltd |                  |              |