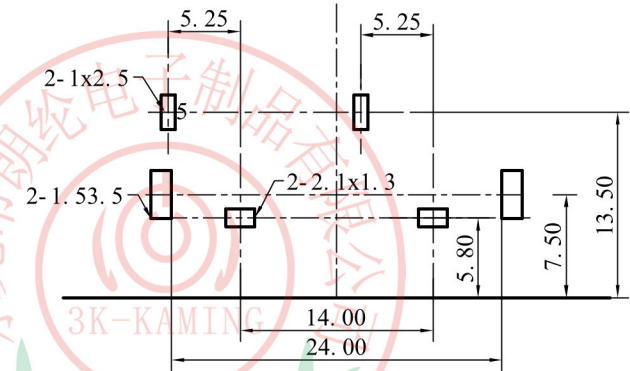
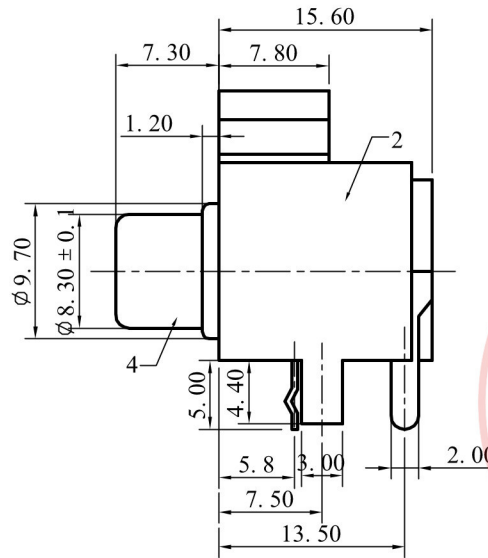
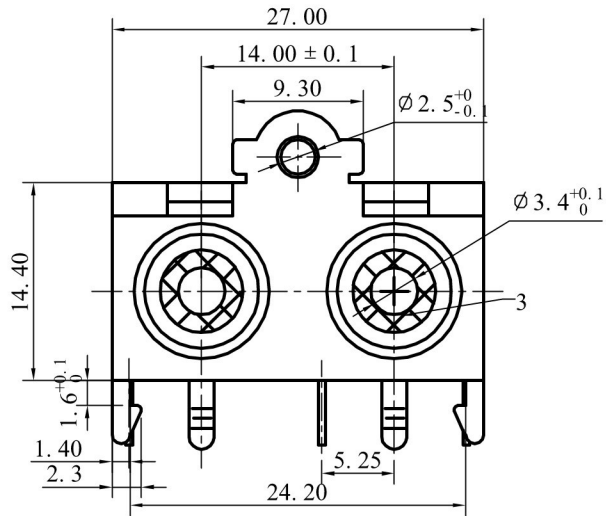
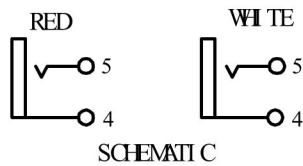



NO.	PART CLR	BY	DATE
REVISIONS			



PCB LAYOUT
TOP VIEW



5	TERMINAL-A	H65-0.5Y	1	Cu-Sn PLATED
4	SOCKET	H65-0.4M	2	Cu-Sn PLATED
3	WASHER	ABS	2	
2	COVER	ABS	1	BLACK
1	HOUSE	ABS	2	BLACK
NO.	PART NAME	MATERIAL	QTY	FINISHING

MODEL NO. RCA-204	TOLERANCE: ± 0.2	DRAWN BY:
TYPE: RCA PIN JACK BOARD	UNIT: mm	CHECKED BY:
MATERIAL NO.	SCALE: NO SCALE	APPROVED BY:
	东莞市朗纶电子制品有限公司 Dongguan langlun electronic products Co., Ltd	