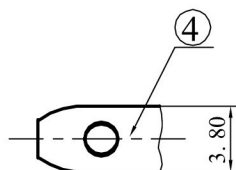
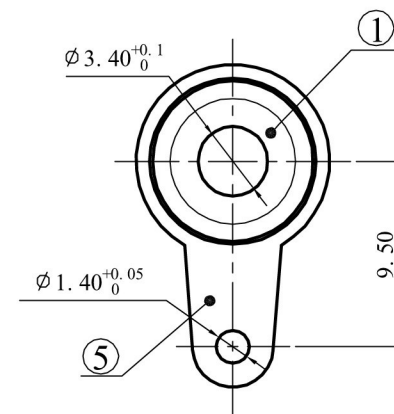
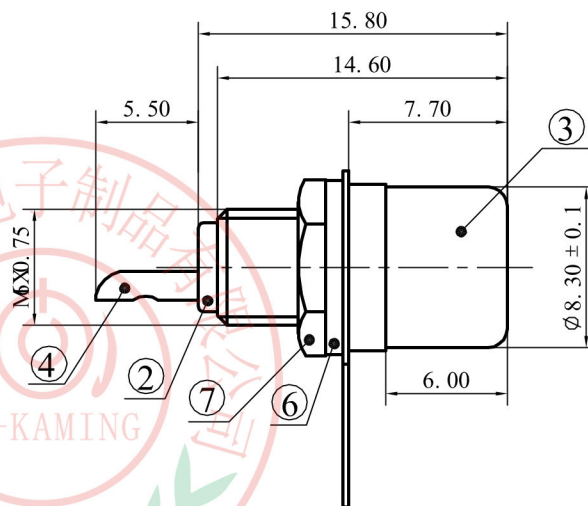
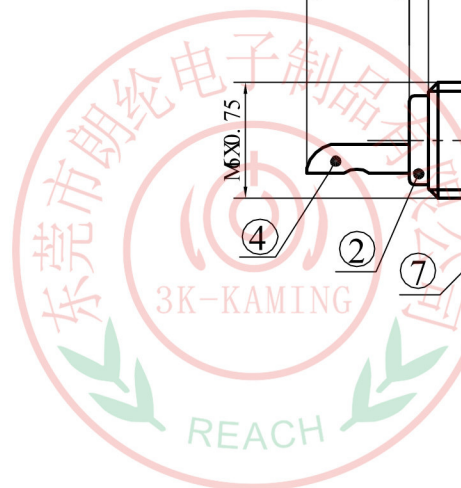


| ALLOWANCE | |
|-----------|--------|
| UNDER 3 | ± 0.1 |
| 3 TO 6 | ± 0.15 |
| 6 TO 15 | ± 0.2 |
| 15 TO 50 | ± 0.25 |
| 50 OVER | ± 0.3 |



| 7 | NUT | BRASS | 1 | N PLATED |
|-----|------------|--------------|-----|------------------|
| 6 | COVER-P | STEEL t=1.0 | 1 | N PLATED |
| 5 | TERMINAL-B | STEEL t=3.0 | 1 | N PLATED |
| 4 | TERMINAL-A | BRASS t=0.25 | 1 | N PLATED |
| 3 | SOCKET | BRASS | 1 | N PLATED |
| 2 | WASHER | PA66 | 1 | RED/YELLOW/WHITE |
| 1 | HOUSE | PA66 | 1 | RED/YELLOW/WHITE |
| NO. | PART NAME | MATERIAL | QTY | FINISHING |

| | | |
|--------------------|------------|--|
| MODEL NO :RCA-113A | ALLOWANCE: | DRAWN BY: |
| TYPE: RCA JACK | UNIT: mm | CHECKED BY: |
| MATERIAL NO : | SCALE: | APPROVED BY: |
| PROJECTION | | 东莞市朗纶电子制品有限公司 Dongguan langlun electronic products Co., Ltd |
| | | |