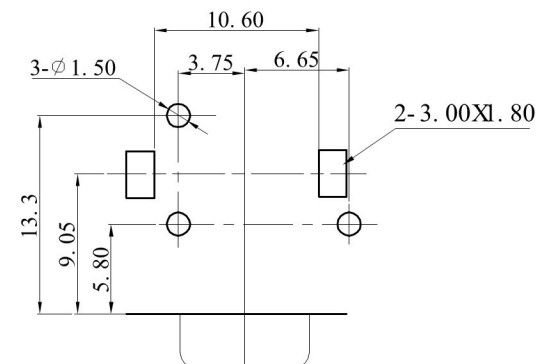
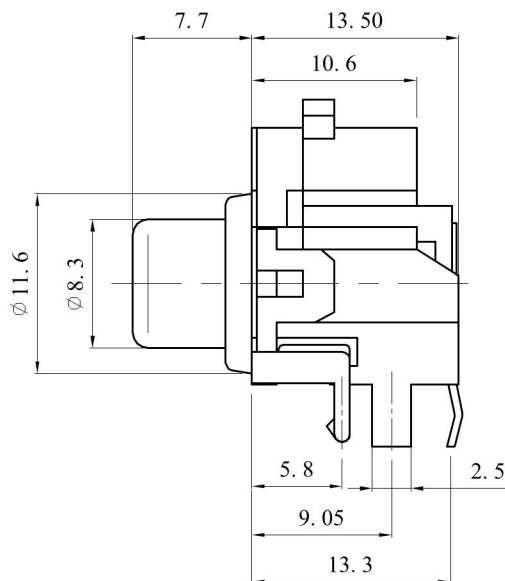
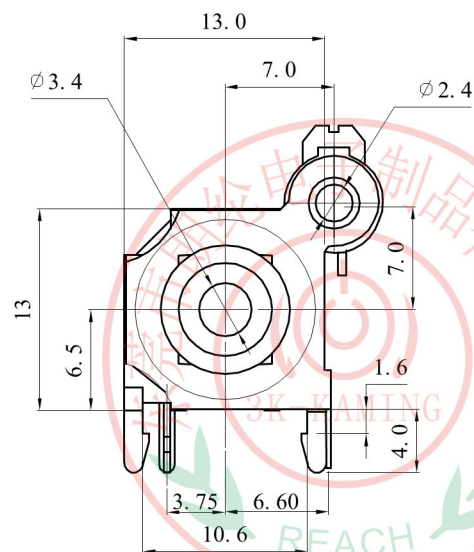
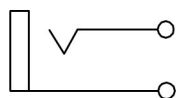


| ALLOWANCE | |
|-----------|--------|
| UNDER 3 | ± 0.1 |
| 3 TO 6 | ± 0.15 |
| 6 TO 15 | ± 0.2 |
| 15 TO 50 | ± 0.25 |
| 50 OVER | ± 0.3 |



PCB LAYOUT
TOP VIEW



SCHMATIC



| | | |
|--|------------|--------------|
| MODEL NO :RCA-108PC | ALLOWANCE: | DRAWN BY: |
| TYPE: RCA JACK | UNIT: mm | CHECKED BY: |
| MATERIAL NO : | SCALE: | APPROVED BY: |
| PROJECTION | | |
| | | |
| 东莞市朗纶电子制品有限公司 Dongguan langlun electronic products Co., Ltd | | |