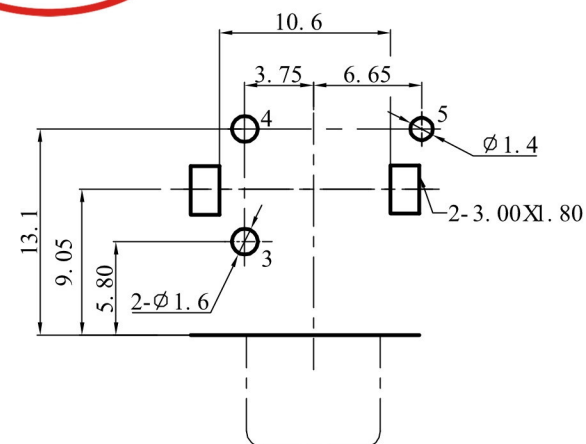
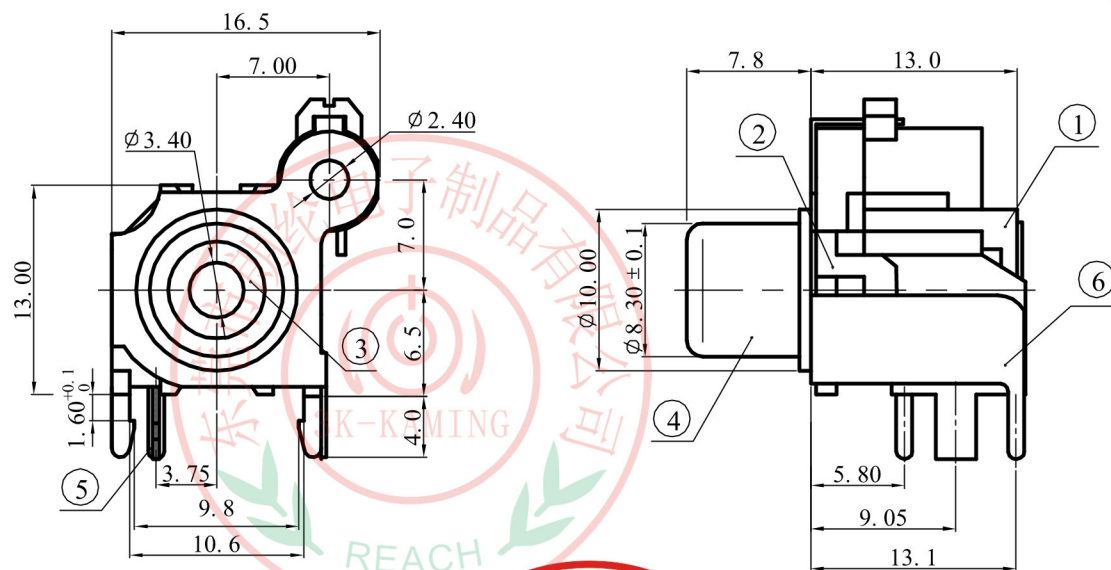
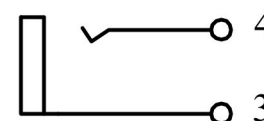


ALLOWANCE	
UNDER 3	±0.1
3 TO 6	±0.15
6 TO 15	±0.2
15 TO 50	±0.25
50 OVER	±0.3



PCB LAYOUT
TOP VIEW



SCHEMATIC



6	COVER-P	BRASS t=0.3	1	CuSn PLATED
5	TERMINAL- A	BRASS t=0.35	1	CuSn PLATED
4	SOCKET	BRASS t=0.4	1	AI PLATED
3	WASHER	ABS	1	YELLOW
2	COVER	ABS	1	BLACK
1	HOUSE	ABS	1	YELLOW
NO.	PART NAME	MATERIAL	QTY	FINISHING

MODEL NO. RCA-108A	ALLOWANCE:	DRAWN BY:
TYPE: RCA JACK	UNIT: mm	CHECKED BY:
MATERIAL NO.	SCALE:	APPROVED BY:
PROJECTION		东莞市朗纶电子制品有限公司 Dongguan langlun electronic products Co., Ltd