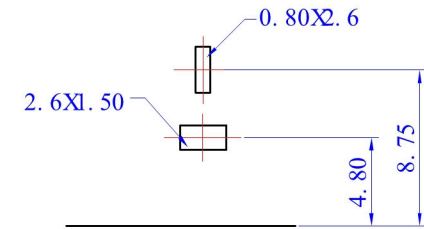
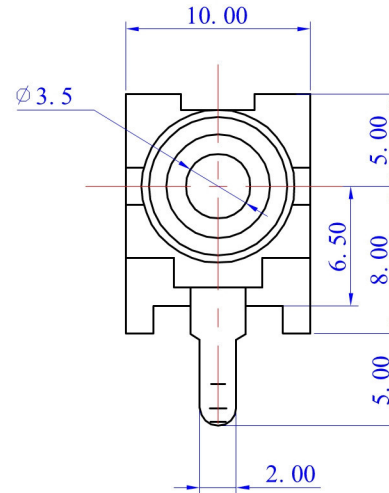
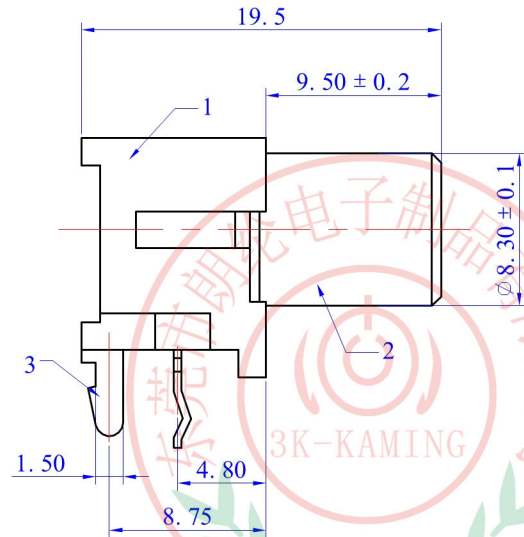
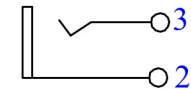



ALLOWANCE	
UNDER 3	± 0.1
3 TO 6	± 0.2
6 TO 15	± 0.3
15 TO 50	± 0.4
50 OVER	± 0.5



PCB  
TOP VIEW



SCHEMATIC

3	TERMINAL	H65-0.5Y	1	Cu- Sn PLATED	MODEL NO : RCA-105A	TOLERANCE: ± 0.2	DRAWN BY: Wliwei 07.5.16
2	SOCKET	H65-0.4M	1	Cu- Sn PLATED	TYPE :RCA PIN JACK BOARD	UNIT: mm	CHECKED BY:
1	HOUSE	PBT	1	COFFEE	MATERIAL NO :	SCALE: NO SCALE	APPROVED BY:
NO.	PART NAME	MATERIAL	QTY	FINISHING	 <b>东莞市朗纶电子制品有限公司</b> Dongguan langlun electronic products Co., Ltd		