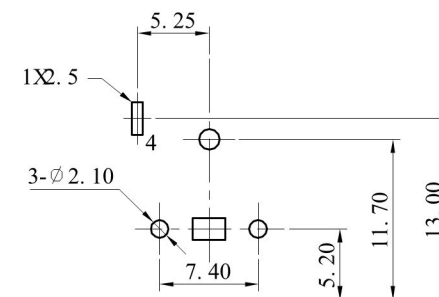
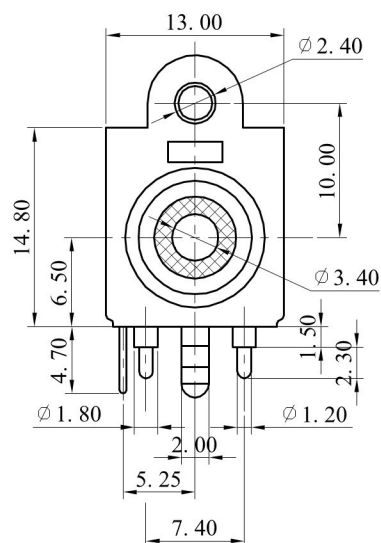
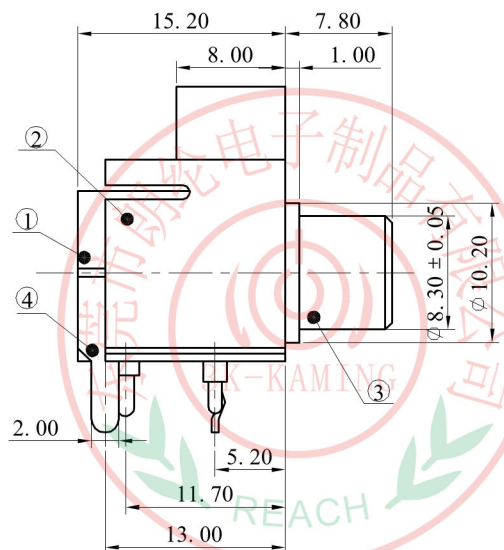
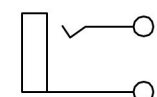


ALLOWANCE	
UNDER 3	± 0.1
3 TO 6	± 0.15
6 TO 15	± 0.2
15 TO 50	± 0.25
50 OVER	± 0.3



PCB  
TOP VIEW



SCHEMATIC



4	TERMINAL- A	H65-0.5Y	1	Cu- Sn PLATED	MODEL NO :RCA- 104F	ALLOWANCE:	DRAWN BY:
3	SOCKET	H65-0.4M	1	Au PLATED	TYPE: RCA JACK	UNIT: mm	CHECKED BY:
2	COVER	ABS	1	BLACK	MATERIAL NO :	SCALE:	APPROVED BY:
1	HOUSE	ABS	1	BLACK	PROJECTION	东莞市朗纶电子制品有限公司 Dongguan langlun electronic products Co., Ltd	
NQ	PART NAME	MATERIAL	QTY	FINISHING			