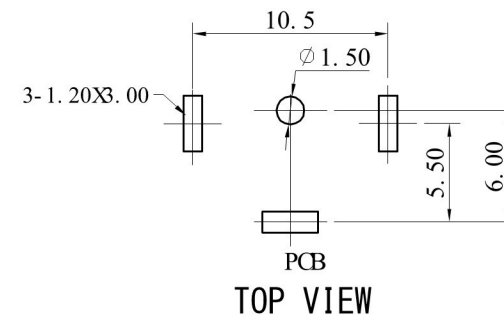
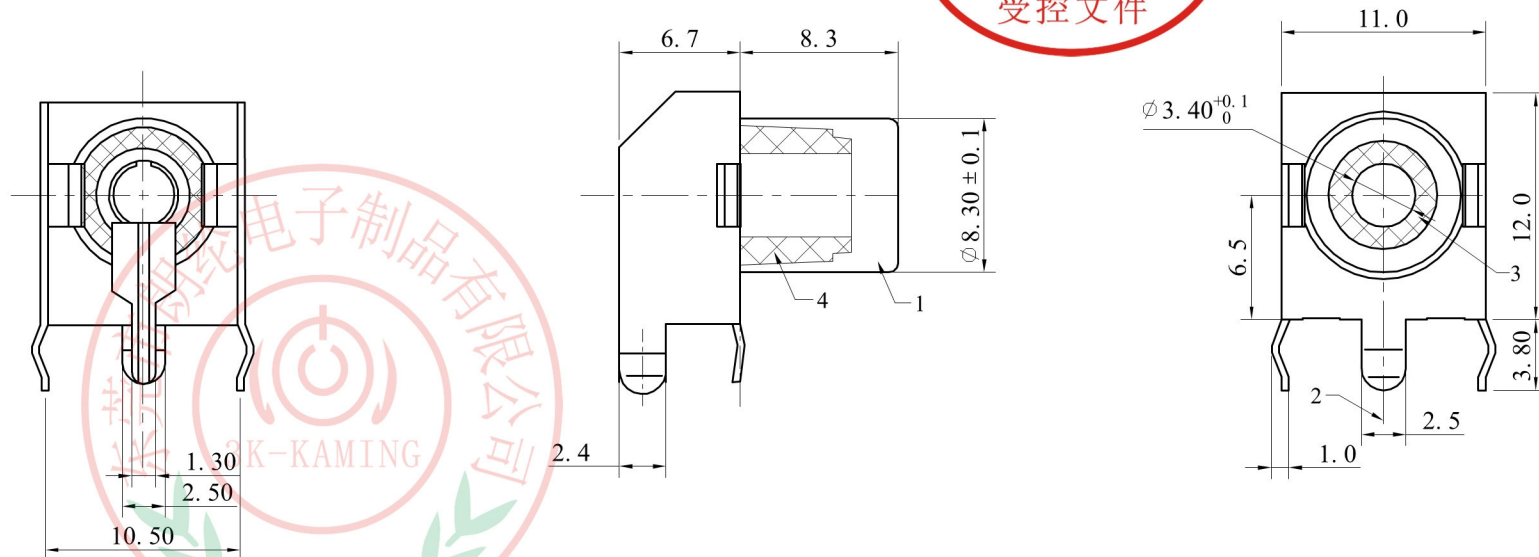


ALLOWANCE	
UNDER 3	± 0.1
3 TO 6	± 0.2
6 TO 15	± 0.3
15 TO 50	± 0.4
50 OVER	± 0.5



4	WASHER-1	PC	1	BLACK
3	WASHER	PBT	1	RED
2	TERMINAL	H65-0.3Y	1	Cu- Sn PLATED
1	SOCKET	H65-0.4M	1	Cu- Sn PLATED
NO.	PART NAME	MATERIAL	QTY	FINISHING

MODEL NO : RCA-103B	TOLERANCE:	DRAWN BY:
TYPE : RCA PIN JACK BOARD	UNIT: mm	CHECKED BY:
MATERIAL NO :	SCALE: NO SCALE	APPROVED BY:
	东莞市朗纶电子制品有限公司 Dongguan langlun electronic products Co., Ltd	