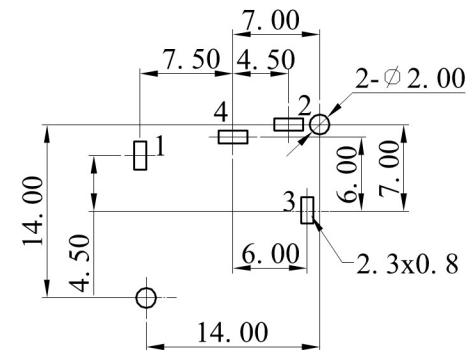
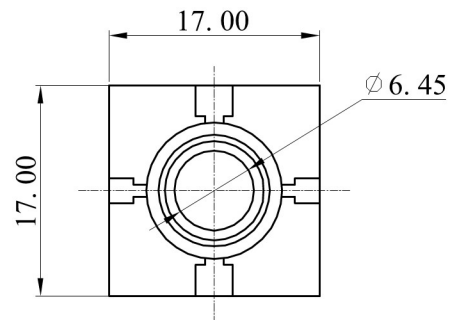
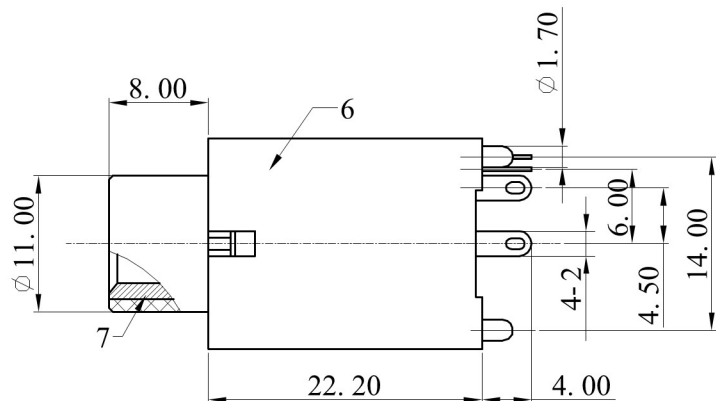
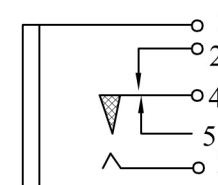




ALLOWANCE	
UNDER 3	± 0.1
3 TO 6	± 0.2
6 TO 15	± 0.3
15 TO 50	± 0.4
50 OVER	± 0.5



PCB LAYOUT



SCHEMATIC

7	SOCKET	HPb59-1	1	NI PLATED
6	HOUSING	ABS	1	BLACK
5	TERMINAL-5	H65-0.4Y	1	Ag PLATED
4	TERMINAL-4	QSn6.5-0.1-0.3Y	1	Ag PLATED
3	TERMINAL-3	QSn6.5-0.1-0.3Y	1	Ag PLATED
2	TERMINAL-2	H65-0.4Y	1	Ag PLATED
1	TERMINAL-1	H65-0.4Y	1	NI PLATED
NO	PART NAME	MATERIAL	QTY	FINISHING



MODEL NO	SJ6314-4P	TOLERANCE: ± 0.2	DRAWN BY:
TYPE:	6.35 PHONG JACK	UNIT: mm	CHECKED BY:
MATERIAL NO		SCALE: NO SCALE	APPROVED BY:
东莞市朗纶电子制品有限公司 Dongguan langlun electronic products Co., Ltd			