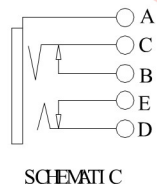
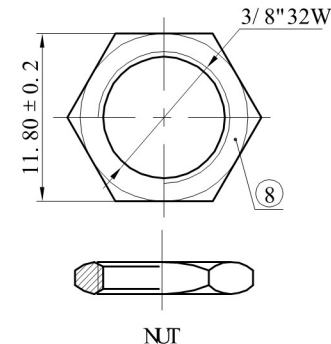
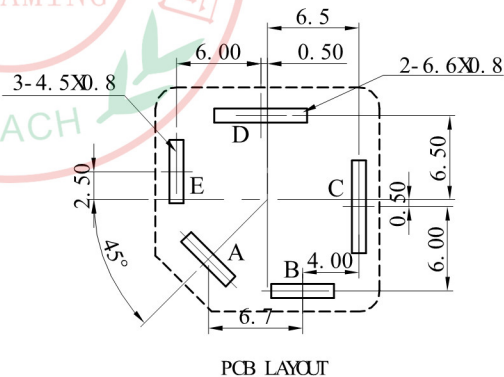


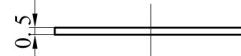
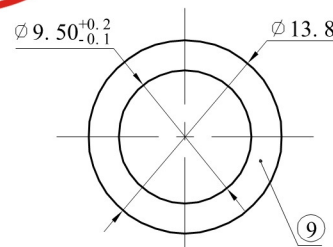
ALLOWANCE	
UNDER 3	± 0.1
3 TO 6	± 0.15
6 TO 15	± 0.2
15 TO 50	± 0.25
50 OVER	± 0.3



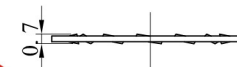
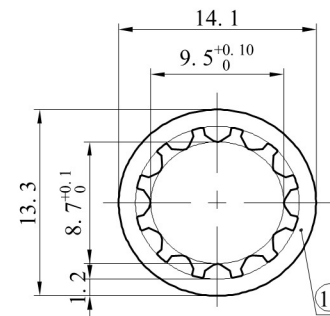
SCHMATIC



PCB LAYOUT



WASHER-1



WASHER-2



10	WASHER-2	65Mn t=0.3	1	Ni PLATED
9	WASHER-1	STEEL t=0.5	1	Ni PLATED
8	NUT	BRASS	1	Ni PLATED
7	TERMINAL-E	BRONZE t=0.4	1	Ag PLATED
6	TERMINAL-D	BRONZE t=0.4	1	Ag PLATED
5	TERMINAL-C	BRONZE t=0.4	1	Ag PLATED
4	TERMINAL-B	BRONZE t=0.4	1	Ag PLATED
3	TERMINAL-A	BRASS t=0.4	1	Ag PLATED
2	SOCKET	BRASS	1	Ni PLATED
1	HOUSE	PBT	1	BLACK
NO.	PART NAME	MATERIAL	QTY	FINISHING

MODEL NO. SJ-6305M5P	ALLOWANCE:	DRAWN BY:
TYPE: 6.35 PHONE SOCKET	UNIT: mm	CHECKED BY:
MATERIAL NO.	SCALE:	APPROVED BY:
PROJECTION	东莞市朗纶电子制品有限公司 Dongguan langlun electronic products Co., Ltd	