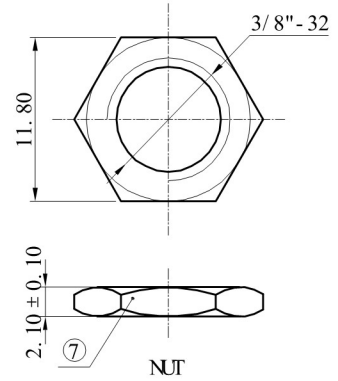
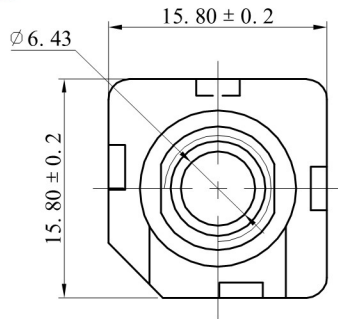
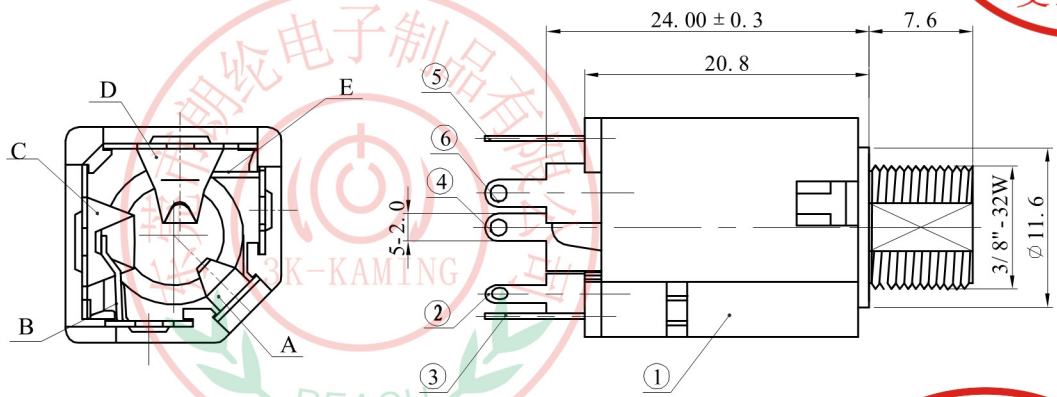


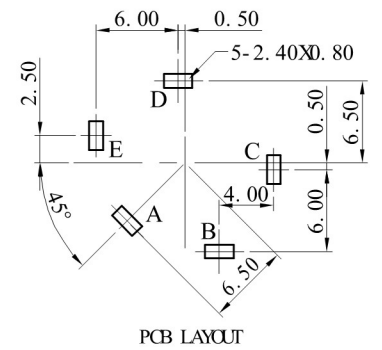
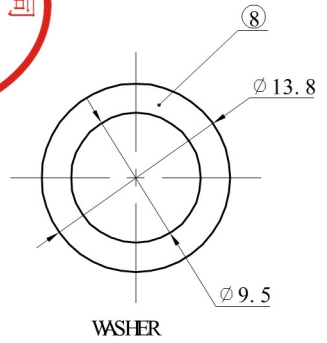


ALLOWANCE	
UNDER 3	± 0.1
3 TO 6	± 0.15
6 TO 15	± 0.2
15 TO 50	± 0.25
50 OVER	± 0.3



SCHEMATIC ↓

NO:	T	U	R	X	S
	SJ 6305G-5P	SJ 6305G-4P	SJ 6305G-3P DOUBLE SOUND TRACK	SJ 6305G-3P SINGLE SOUND TRACK	SJ 6305G-2P SINGLE SOUND TRACK



NO.	PART NAME	MATERIAL	QTY	FINISHING
8	WASHER	STEEL t=0.5	1	N PLATED
7	NUT	BRASS	1	N PLATED
6	TERMINAL-E	BRONZE t=0.4	1	Ag PLATED
5	TERMINAL-D	BRONZE t=0.4	1	Ag PLATED
4	TERMINAL-C	BRONZE t=0.4	1	Ag PLATED
3	TERMINAL-B	BRONZE t=0.4	1	Ag PLATED
2	TERMINAL-A	BRONZE t=0.4	1	Ag PLATED
1	HOUSE	PBT	1	BLACK

MODEL NO. SJ-6305G	ALLOWANCE:	DRAWN BY:
TYPE: 6.35 PHONE JACK	UNIT: mm	CHECKED BY:
MATERIAL NO.	SCALE:	APPROVED BY:
PROJECTION		
东莞市朗纶电子制品有限公司 Dongguan langlun electronic products Co., Ltd		