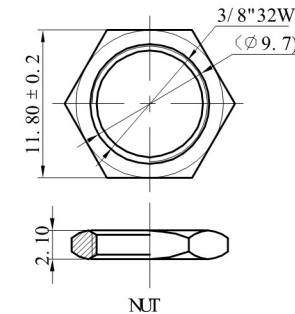
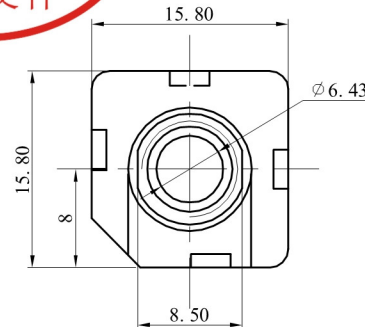
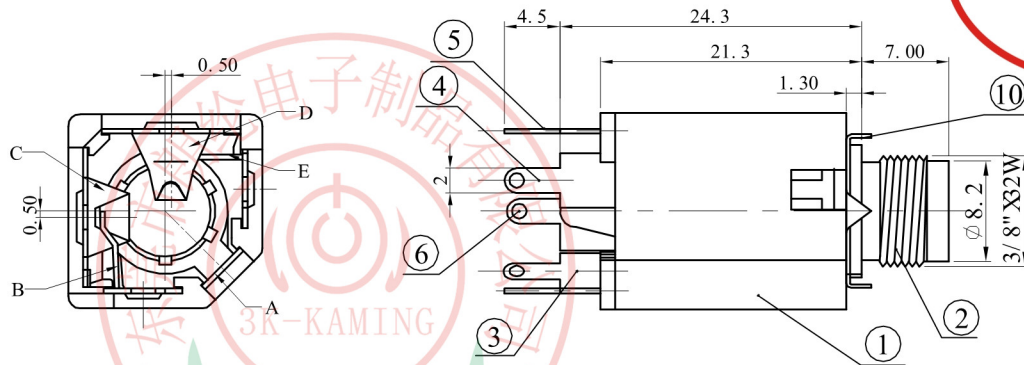


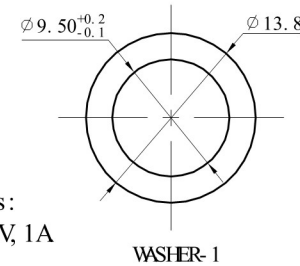
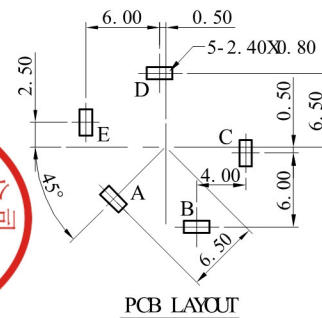


ALLOWANCE	
UNDER 3	± 0.1
3 TO 6	± 0.15
6 TO 15	± 0.2
15 TO 50	± 0.25
50 OVER	± 0.3



SCHEMATIC

NO:	T	R	X	S
	SJ6305E-5P	SJ6305E-3P DOUBLE SOUND TRACK	SJ6305E-3P SINGLE SOUND TRACK	SJ6305E-2P SINGLE SOUND TRACK



Specifications:
 Rating : DC 50V, 1A
 Force: 5-40N
 Contact resistance:
 Less than 30mΩ.
 Insulation resistance:
 Over 100MΩ on DC 500V
 measured.
 Voltage withstand :
 AC 500V, For 1 minute.

NO.	PART NAME	MATERIAL	QTY	FINISHING
10	WASHER- B	STEEL	1	N PLATED
9	WASHER- 1	SPCC 0.5*1020*C	1	N PLATED
8	NUT	BRASS	1	N PLATED
7	TERMINAL- E	BRONZE t=0.4	1	Ag PLATED
6	TERMINAL- D	BRONZE t=0.4	1	Ag PLATED
5	TERMINAL- C	BRONZE t=0.4	1	Ag PLATED
4	TERMINAL- B	BRONZE t=0.4	1	Ag PLATED
3	TERMINAL- A	BRASS t=0.4	1	Ag PLATED
2	SOCKET	BRASS	1	N PLATED
1	HOUSE	PBT- G30 (M RGN)	1	BLACK

MODEL NO. SJ-6305E	ALLOWANCE:	DRAWN BY:
TYPE: 6.35 PHONE JACK	UNIT: mm	CHECKED BY:
MATERIAL NO.	SCALE:	APPROVED BY:
PROJECTION		东莞市朗纶电子制品有限公司 Dongguan langlun electronic products Co., Ltd