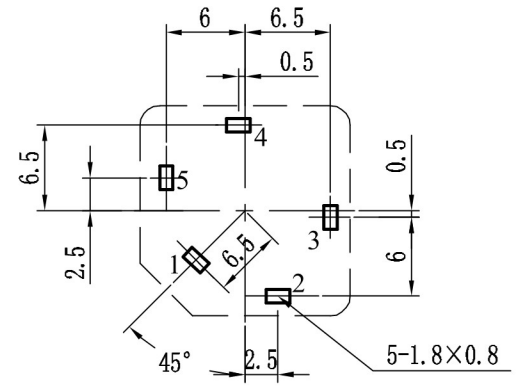
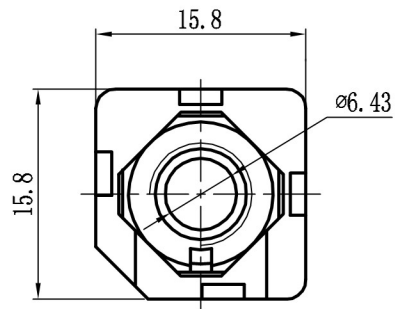
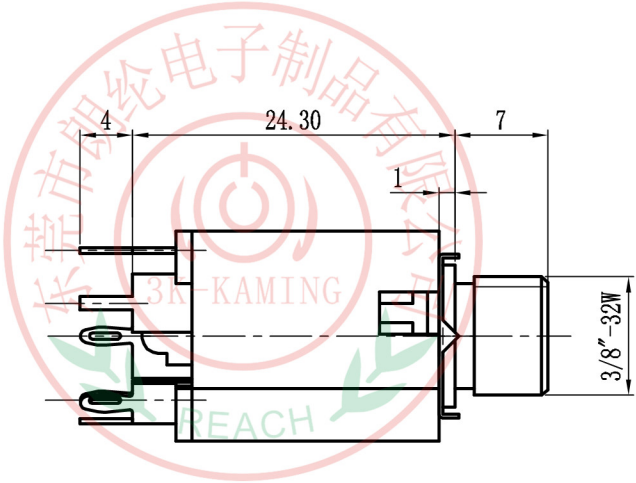
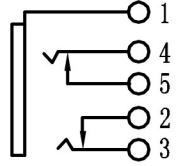




ALLOWANCE	
UNDER 3	±0.1
3 TO 6	+0.15
6 TO 15	+0.2
15 TO 50	+0.25
50 OVER	+0.3



PCB LAYOUT



SCHEMATIC



MODEL NO: SJ6305D-5P	ALLOWANCE:	DRAWN BY:
TYPE:6.35 PHONE JACK	UNIT: mm	CHECKED BY:
MATERIAL NO:	SCALE:	APPROVED BY:
PROJECTION		东莞市朗纶电子制品有限公司 Dongguan langlun electronic products Co., Ltd