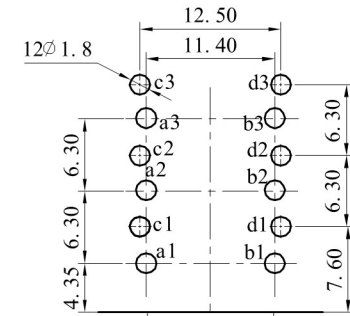
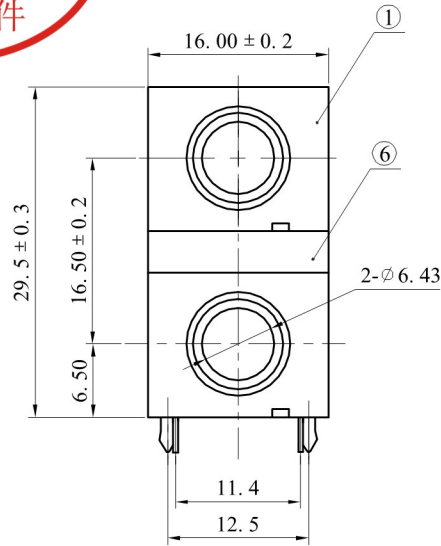
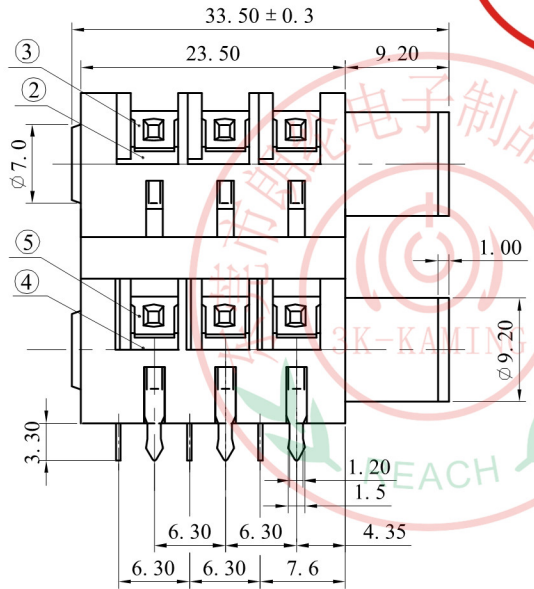
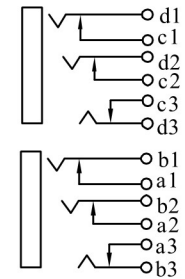




ALLOWANCE	
UNDER 3	± 0.1
3 TO 6	± 0.15
6 TO 15	± 0.2
15 TO 50	± 0.25
50 OVER	± 0.3



PCB LAYOUT
TOP VIEW



SCHEMATIC



6	WASHER	PA66	1	BLACK
5	TERMINAL-D	BRONZE t=0.4	3	Ag PLATED
4	TERMINAL-C	BRASS t=0.4	3	Ag PLATED
3	TERMINAL-B	BRONZE t=0.4	3	Ag PLATED
2	TERMINAL-A	BRASS t=0.4	3	Ag PLATED
1	HOUSE	PA66	2	BLACK
NO.	PART NAME	MATERIAL	QTY	FINISHING

MODEL NO.	SJ-6357K-2A	ALLOWANCE:	DRAWN BY:
TYPE:	6.35 PHONE JACK	UNIT: mm	CHECKED BY:
MATERIAL NO.		SCALE:	APPROVED BY:
PROJECTION		东莞市朗纶电子制品有限公司 Dongguan langlun electronic products Co., Ltd	