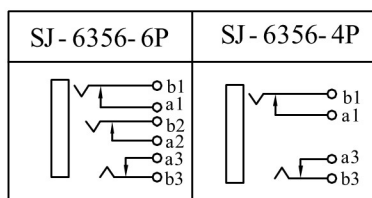
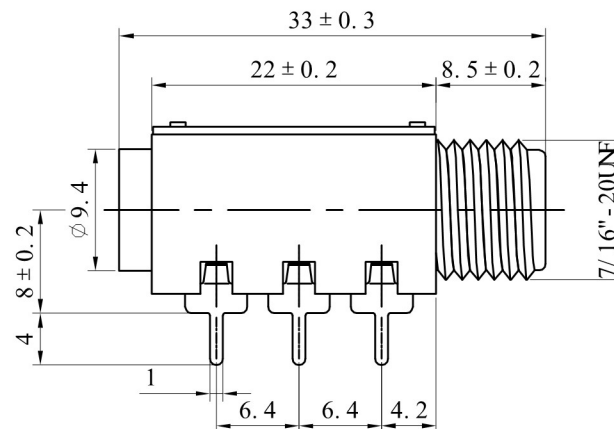
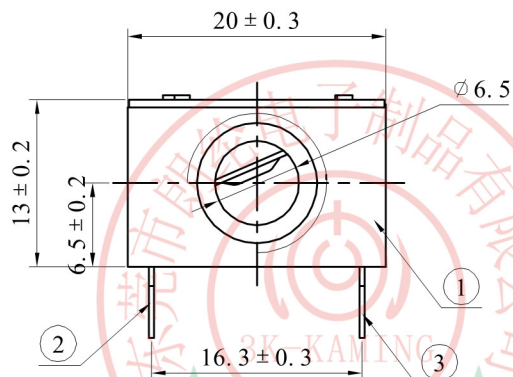
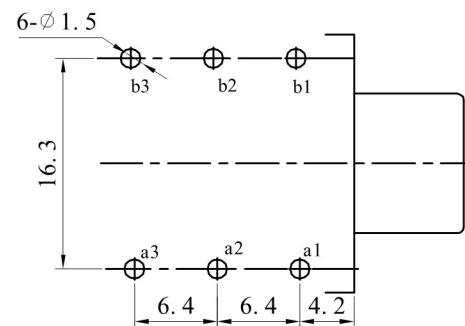


ALLOWANCE	
UNDER 3	± 0.1
3 TO 6	± 0.15
6 TO 15	± 0.2
15 TO 50	± 0.25
50 OVER	± 0.3



SCHMATIC



PCB LAYOUT



4	COVER	ABS	1	WHITE	MODEL NO. SJ-6356-6P	ALLOWANCE:	DRAWN BY:
3	TERMINAL-B	BRONZE t=0.4	3	Ag PLATED			
2	TERMINAL-A	BRASS t=0.4	3	Ag PLATED	MATERIAL NO.	SCALE:	APPROVED BY:
1	HOUSE	PA66	1	BLACK	PROJECTION	东莞市朗纶电子制品有限公司 Dongguan langlun electronic products Co., Ltd	
NO.	PART NAME	MATERIAL	QTY	FINISHING			