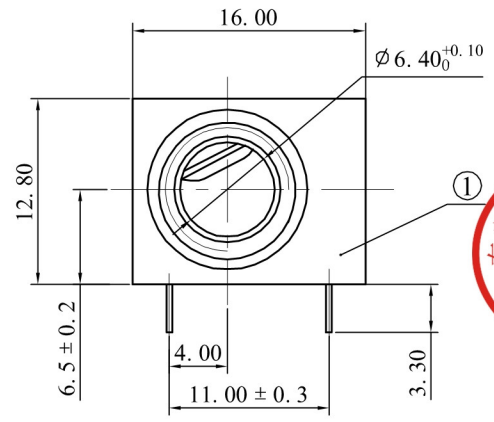
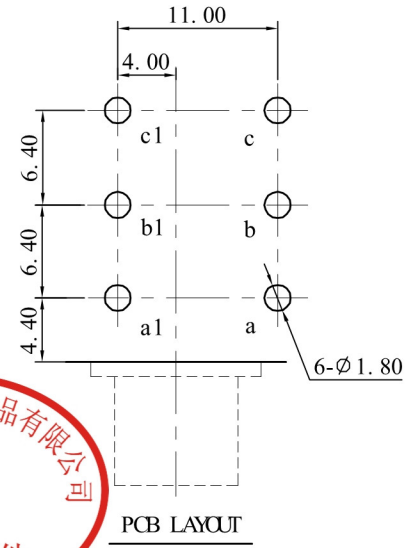
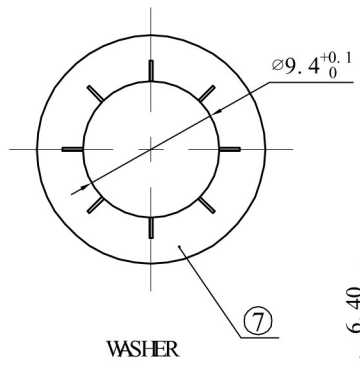
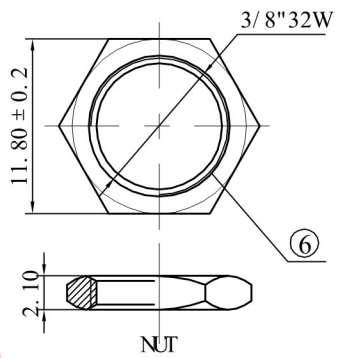
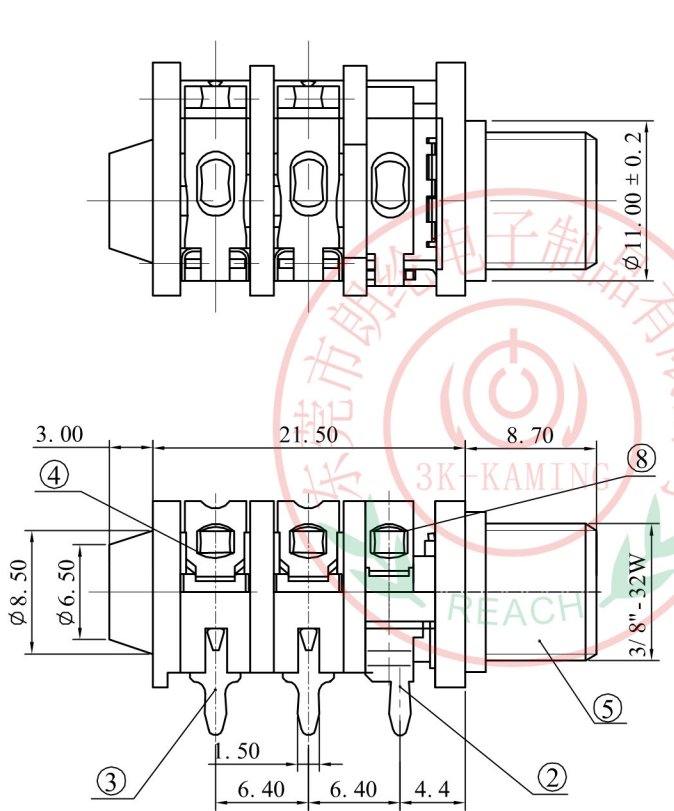
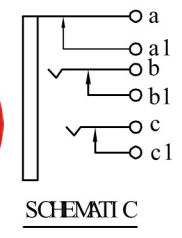


ALLOWANCE	
UNDER 3	± 0.1
3 TO 6	± 0.15
6 TO 15	± 0.2
15 TO 50	± 0.25
50 OVER	± 0.3



Specifications:  
 Rating : DC 50V, 1A  
 Force: 5-40N  
 Contact resistance:  
 Less than 30mΩ.  
 Insulation resistance:  
 Over 100MΩ on DC 500V  
 measured.  
 Voltage withstand :  
 AC 500V, For 1 minute.



8	TERMINAL-D	BRONZE t=0.4	1	Ag PLATED
7	WASHER	SPCC t=0.5	1	Ni PLATED
6	SCREW	BRASS	1	Ni PLATED
5	SOCKET	BRASS	1	Ni PLATED
4	TERMINAL-C	BRONZE t=0.4	2	Ag PLATED
3	TERMINAL-B	BRASS t=0.4	2	Ag PLATED
2	TERMINAL-A	BRASS t=0.4	1	Ag PLATED
1	HOUSE	PA66	1	BLACK
NO.	PART NAME	MATERIAL	QTY	FINISHING

MODEL NO : SJ-6347A-6P	ALLOWANCE:	DRAWN BY:
TYPE : 6.35 PHONE JACK	UNIT: mm	CHECKED BY:
MATERIAL NO :	SCALE:	APPROVED BY:
PROJECTION		
东莞市朗纶电子制品有限公司 Dongguan langlun electronic products Co., Ltd		