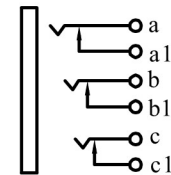
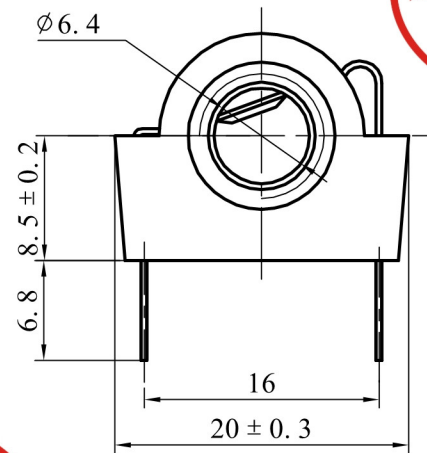


PCB LAYOUT



SCHEMATIC



MODEL NO : SJ-6345-6P	ALLOWANCE:	DRAWN BY:
TYPE : 6.35 PHONE JACK	UNIT: mm	CHECKED BY:
MATERIAL NO :	SCALE:	APPROVED BY:
PROJECTION		东莞市朗纶电子制品有限公司 Dongguan langlun electronic products Co., Ltd