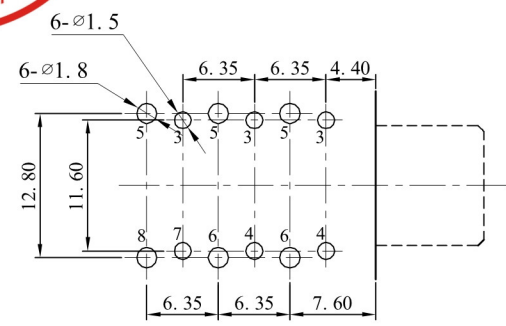
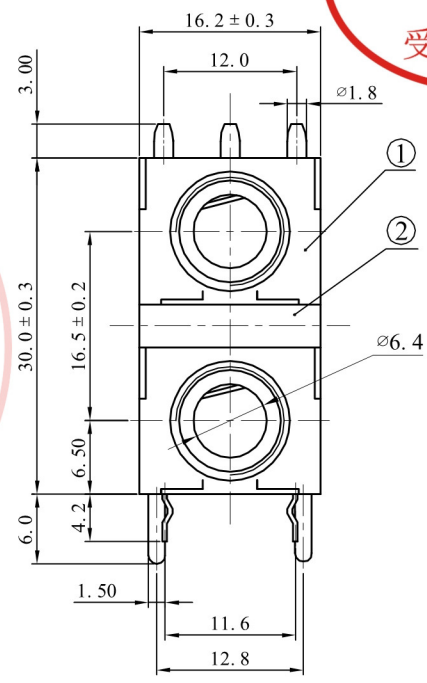
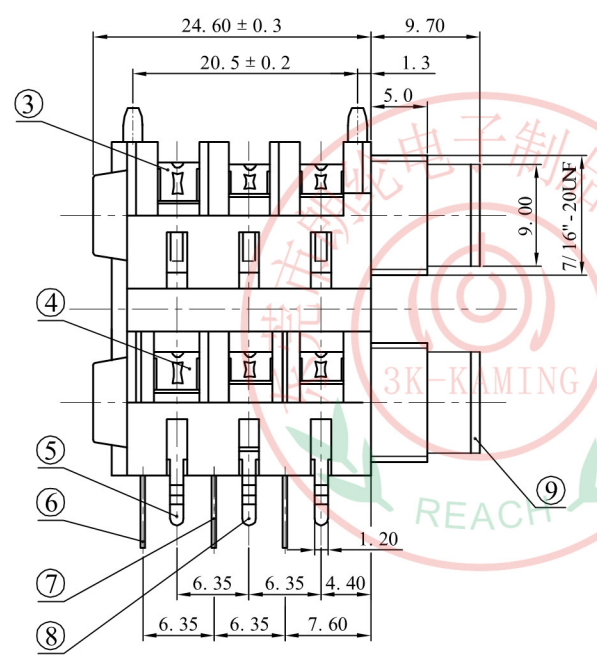
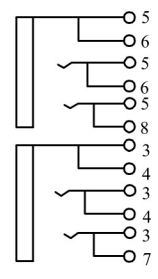




ALLOWANCE	
UNDER 3	± 0.1
3 TO 6	± 0.15
6 TO 15	± 0.2
15 TO 50	± 0.25
50 OVER	± 0.3



PCB LAYOUT



SCHEMATIC



9	SOCKET	BRASS	2	N PLATED
8	TERMINAL-F	BRASS t=0.4	2	Ag PLATED
7	TERMINAL-E	BRASS t=0.4	2	Ag PLATED
6	TERMINAL-D	BRASS t=0.4	1	Ag PLATED
5	TERMINAL-C	BRASS t=0.4	1	Ag PLATED
4	TERMINAL-B	BRONZE t=0.4	3	Ag PLATED
3	TERMINAL-A	BRONZE t=0.4	3	Ag PLATED
2	COVER	PA66	1	BLACK
1	HOUSE	PA66	2	BLACK
NQ	PART NAME	MATERIAL	QTY	FINISHING

MODEL NO. SJ-6337H	ALLOWANCE:	DRAWN BY:
TYPE: 6.35 PHONE JACK	UNIT: mm	CHECKED BY:
MATERIAL NO.	SCALE:	APPROVED BY:
PROJECTION		东莞市朗纶电子制品有限公司 Dongguan langlun electronic products Co., Ltd