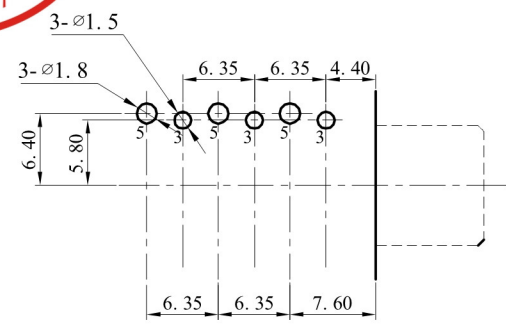
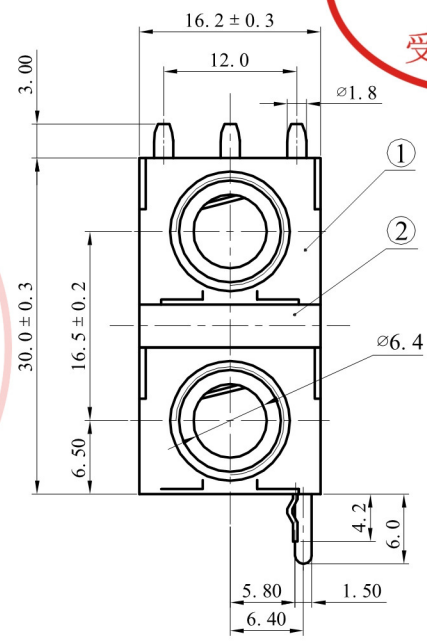
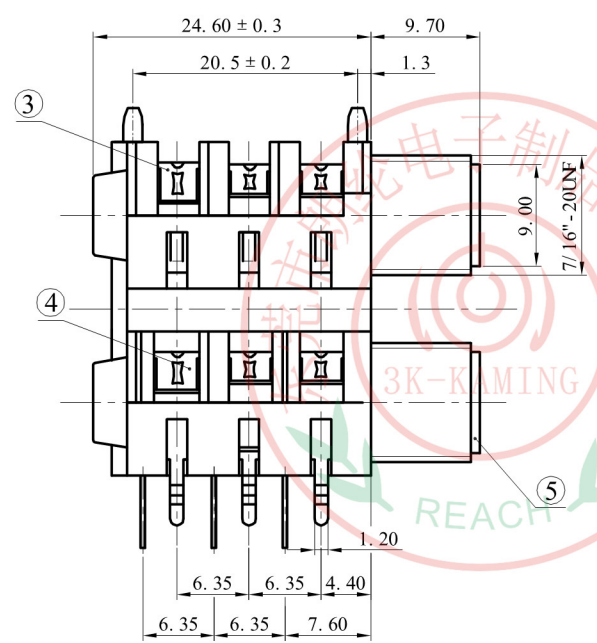
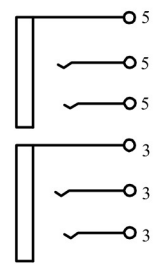




| ALLOWANCE | |
|-----------|--------|
| UNDER 3 | ± 0.1 |
| 3 TO 6 | ± 0.15 |
| 6 TO 15 | ± 0.2 |
| 15 TO 50 | ± 0.25 |
| 50 OVER | ± 0.3 |




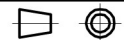
PCB LAYOUT



SCHEMATIC



| | | | | |
|-----|-------------|--------------|-----|-----------|
| 5 | SOCKET | BRASS | 2 | Au PLATED |
| 4 | TERMINAL- B | BRONZE t=0.4 | 3 | Ag PLATED |
| 3 | TERMINAL- A | BRONZE t=0.4 | 3 | Ag PLATED |
| 2 | COVER | PA66 | 1 | BLACK |
| 1 | HOUSE | PA66 | 2 | BLACK |
| NO. | PART NAME | MATERIAL | QTY | FINISHING |

| | | |
|---|--|--------------|
| MODEL NO. SJ-6337C-6P | ALLOWANCE: | DRAWN BY: |
| TYPE: 6.35 PHONE JACK | UNIT: mm | CHECKED BY: |
| MATERIAL NO. | SCALE: | APPROVED BY: |
| PROJECTION |  东莞市朗纶电子制品有限公司 Dongguan langlun electronic products Co., Ltd | |
|  | | |